

Hy-Lite block straight walls install in about 1 hour.

1) Carefully remove the wall from the skid and then remove the plywood reinforcing which is used to ensure that the wall does not flex during shipping.

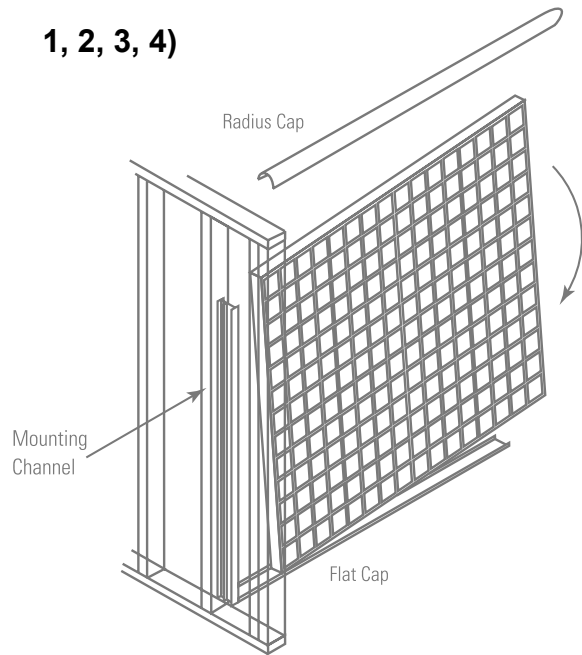
2) Securely fasten the mounting channel to a fixed wall.

3) Fasten the flat cap to the floor.

4) Swing wall down at an angle while sliding it into the mounting channel. Then locate the wall over the flat cap and press firmly down to snap into place.

5) Add radius cap (shown) or flat cap to trim off wall.

1, 2, 3, 4)



5)

