

Fx2 Composite Level Railing With Glass Balusters



www.fairwayvinyl.com

909932

v1.5

It is the responsibility of the installer to meet or exceed all code and safety requirements, and to obtain all required building permits. These instructions are only a guide and may not address every circumstance. The deck and railing installer should determine and implement appropriate installation techniques for each situation.

FAIRWAY Vinyl Systems shall not be held liable for improper or unsafe installations.

1 Measure Rail Length

Plumb post/mounting surface. Slide base trim ring and sleeve over post. Measure distance between mounting surfaces.

NOTE: For 5 1/4" x 5 1/4" Post Sleeves - Top Bracket Only For added strength you may add a 3/4" x 2 1/4" x 6" composite or treated wood block (block not supplied) between Post Sleeve & wood post before installing Top Bracket.

2 Install Bottom Rail Mounting Screw

Find center of post/mounting surface (Example: 5-1/4" post = 2-5/8"). Mark center line on surface. Determine distance from finish deck to bottom of rail. Add 3/8" and mark. Drill 3/16" hole on center of center line. Install #14 x 2" screw to within 1/8" of mounting surface. Check screw head clearance using a bottom bracket and adjust clearance between screw head and post/mounting surface to obtain a snap in fit.

NOTE: Using Fairway's Structural Post with 4" x 4" Fx2 Post Sleeve, requires using "SK1 - 4" Post Sleeve" screw packs provided with all mounting bracket kits. Shorter mounting screws will not interfere with steel support post (May also use with wood post).

3 Cut Rails to Length

Using measurement from step #1, cut bottom rail to length. Make certain there is equal and maximum distance on end spacing. If posts are plumb, measure sub-rail same length, DEDUCT 1/8" from each end and cut to length.

4 Install Railing and Foot Block Mounting Brackets

(A) BOTTOM RAIL
Keep Mounting Bracket Flush w/End of Rail

(B) SUB-RAIL
#10 X 1-3/4" Will be Installed With Top Rail In Step #7
Pre-Drill **TWO** 1/8" Holes for #10 Screws
Install ONE #10 X 3/4" Screw In This Slot
1/8" Beyond End of Rail

(C) FOOT BLOCKS
Bottom Rail #10 x 3/4" Screw
Bottom Rail in (1/3) Thirds

5 Assemble Rail Section

Place cut rails on a non-abrasive surface. **(A)** Screw glass baluster connector shoes to rails in pre-drilled locations using provided hardware. **(B)** Lay bottom rail with glass baluster shoes facing up and set glass balusters in place. **(C)** With balusters installed in bottom rail, set sub-rail in place and starting at one end, tap Sub-Rail onto top of glass balusters. **(D)** Using measurement from Step #2 (Distance from finish deck to bottom rail) add 7/8". Cut foot blocks (supplied) and clip onto foot block brackets.

(A) Place bottom rail bracket on underside of bottom rail with **post mounting flange pointing up**. Make certain post flange is flush with the end of the bottom rail and mark the elongated slot. Mark and drill a 1/8" hole in the center of elongated slot on each bracket and install one each #10 x 3/4" mounting screw for each bracket. Adjust bracket if necessary.

(B) With Baluster Connectors facing up, slide Top Rail Brackets with mounting flanges pointing down on end of Top Sub-Rail. On elongated slot closest to mounting flange, find center & drill a 1/8" pilot hole. On other slot, drill a 1/8" pilot hole on outer edge of slot closest to baluster connector (see illustration). Install ONE #10 x 3/4" center hole on elongated slot (second screw will be installed in STEP# 7).

(C) Divide finish bottom rail length into 1/3 (thirds). Install two (2) foot block brackets. Center brackets on bottom rail and screw in place with #10 x 3/4" SS white head screw.

NOTE: TWO FOOT BLOCKS REQUIRED FOR GLASS BALUSTERS ONLY

6 Install Rail Section

Place rail section between posts/mounting surfaces above bottom screw. Slide rail section down to engage bottom mounting bracket onto screw. Find center of post/mounting surface and center top mounting bracket. Pre-drill two 1/8" holes through top mounting bracket holes into post/mounting surface and install 2 each "non-painted" #10 x 2-1/4" screws in both ends of rail. **(See NOTE, Step 2)**

7 Install Top Rail

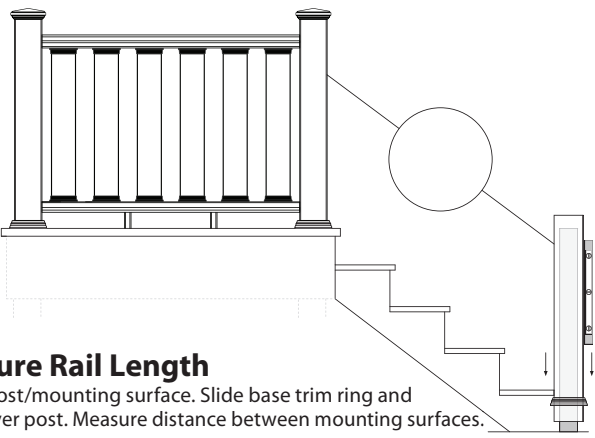
With rail section mounted in place, measure inside distance between post/mounting surface. Cut TOP RAIL to length. Slide TOP RAIL over sub-rail. In the inner second slots of top rail brackets install a #10 X 1-3/4" screw in pre drilled hole. Find "quarter points" between post, pre-drill and install the 2 additional #10 x 1-3/4" screws.

Fx2 Composite Stair Railing With Glass Balusters

It is the responsibility of the installer to meet or exceed all code and safety requirements, and to obtain all required building permits. These instructions are only a guide and may not address every circumstance. The deck and railing installer should determine and implement appropriate installation techniques for each situation.

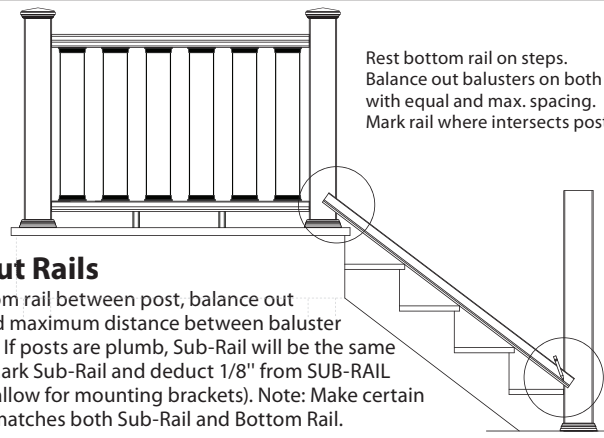
FAIRWAY Vinyl Systems shall not be held liable for improper or unsafe installations.

1



Measure Rail Length
Plumb post/mounting surface. Slide base trim ring and sleeve over post. Measure distance between mounting surfaces.

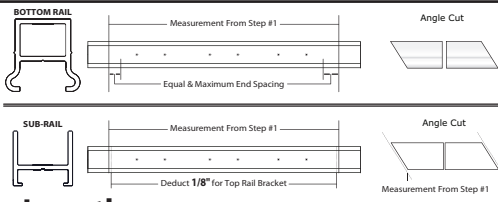
2



Rest bottom rail on steps. Balance out balusters on both ends with equal and max. spacing. Mark rail where intersects post.

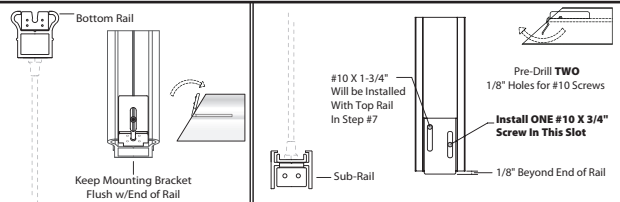
Lay Out Rails
Lay bottom rail between post, balance out equal and maximum distance between baluster and post. If posts are plumb, Sub-Rail will be the same length. Mark Sub-Rail and deduct 1/8" from SUB-RAIL ends (to allow for mounting brackets). Note: Make certain spacing matches both Sub-Rail and Bottom Rail.

3



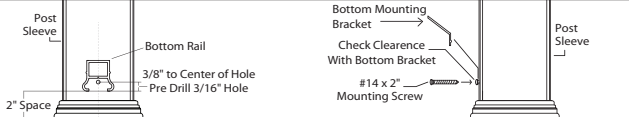
Cut Rails to Length
With angle and stair rail run marked and cut to length. Make certain on **SUB-RAIL ONLY** to deduct 1/8" from each end to allow for mounting bracket. NOTE: Make certain there is equal and max. distance between baluster and post on both rail ends. Also check to see if top and bottom rails match to provide plumb baluster installation.

4



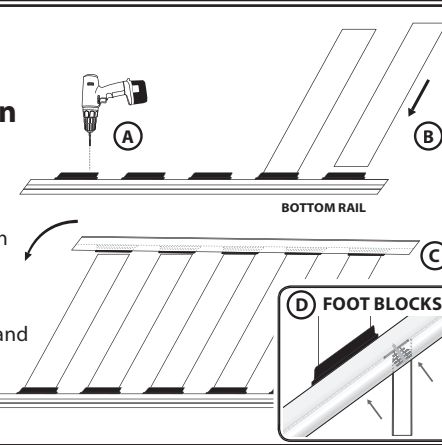
Install Railing Mounting Brackets
Bottom Rail Brackets: Place bottom rail bracket on bottom of rail with post mounting flange pointing up. Make certain post flange is flush with the end of the bottom rail and mark the elongated slot. Drill a 1/8" hole in the center of elongated slot and install a #10 x 3/4" mounting screw. **Top Rail Brackets:** Top Rail Brackets with mounting flange pointing down on end of Top Sub-Rail. On elongated slot closest to mounting flange, find center & drill a 1/8" pilot hole. On other slot, drill a 1/8" pilot hole on outer edge of slot closest to baluster connector (see illustration). Install ONE #10 x 3/4" center hole on elongated slot (second screw will be installed in STEP# 8). Adjust bracket angles if necessary.

5



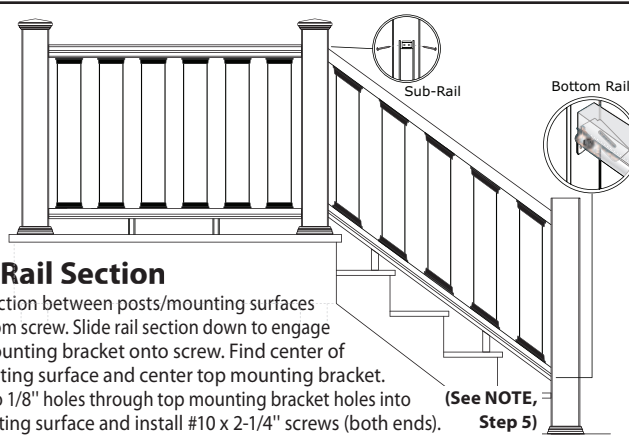
Install Bottom Rail Mounting Screw and Foot Block Brackets
Mark center line of post/mounting surface (Example: 5-1/4" post = 2-5/8"). Determine distance from bottom rail to stair nosing (See local building codes for height limitations), center bottom rail with center line of post and mark slot in mounting bracket. Drill a 3/16" hole and install #14 x 2" screw to within 1/8" of post. Set bottom rail in place, locate the center (as close as possible) stair tread and measure the distance from tread to bottom of rail. Cut foot blocks to length (one end cut to match stair pitch), slide foot blocks in place (make certain bottom rail is resting on mounting screws) and mark front and back of foot blocks onto bottom rail. Remove bottom rail, turn with bottom side exposed and locate foot block marks. Install foot block brackets (supplied) between marks. Slide Foot Blocks over brackets and set rail in place. Adjust if necessary and remove. Remember to install foot blocks after rail is assembled and ready to set in place. **NOTE: Using Fairway's Structural Post with 4" x 4" Fx2 Post Sleeve, requires using "SK1 - 4" Post Sleeve" screw packs provided with all mounting bracket kits. Shorter mounting screws will not interfere with steel support post (May also use with wood post). NOTE: TWO FOOT BLOCKS REQUIRED FOR GLASS BALUSTERS ONLY**

6



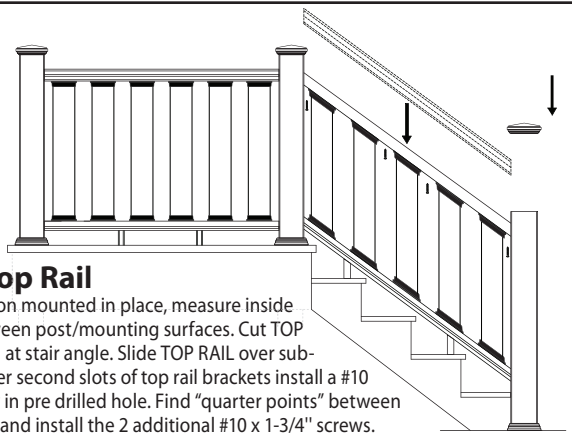
Assemble Rail Section
Place cut rails on a non-abrasive surface. (A) Screw glass baluster connector shoes to rails in pre-drilled locations using provided hardware. (B) Lay bottom rail with glass baluster shoes facing up and set glass balusters in place. (C) With balusters installed in bottom rail, set sub-rail in place and starting at one end, tap Sub-Rail onto top of glass balusters. (D) Install foot blocks (Step #5)

7



Install Rail Section
Place rail section between posts/mounting surfaces above bottom screw. Slide rail section down to engage bottom mounting bracket onto screw. Find center of post/mounting surface and center top mounting bracket. Pre-drill two 1/8" holes through top mounting bracket holes into post/mounting surface and install #10 x 2-1/4" screws (both ends). (See NOTE, Step 5)

8



Install Top Rail
With rail section mounted in place, measure inside distance between post/mounting surfaces. Cut TOP RAIL to length at stair angle. Slide TOP RAIL over sub-rail. In the inner second slots of top rail brackets install a #10 x 1-3/4" screw in pre drilled hole. Find "quarter points" between post, pre-drill and install the 2 additional #10 x 1-3/4" screws.