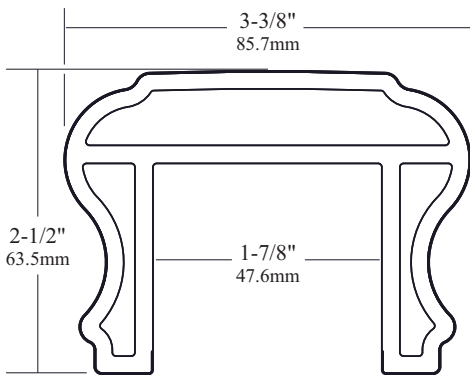


Top Rail Profile



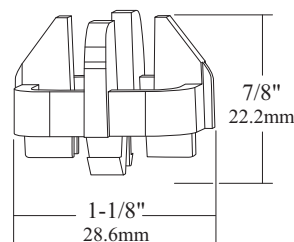
**30" Balusters (36" Rail Height)**

"A" - 34-1/8" 866.8mm  
 "B" - 29-1/2" 749.3mm

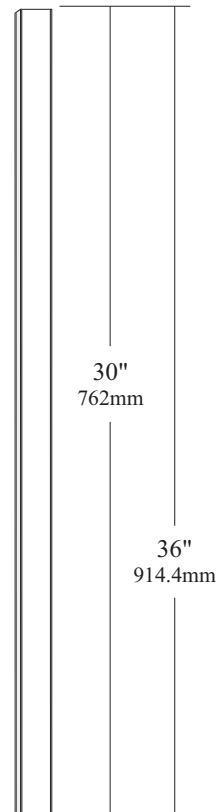
**36" Balusters (42" Rail Height)**

"A" - 40-1/8" 1019.2mm  
 "B" - 35-1/2" 901.7mm

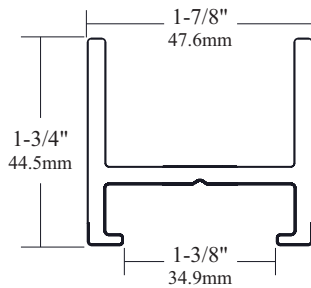
Baluster Connector Clip



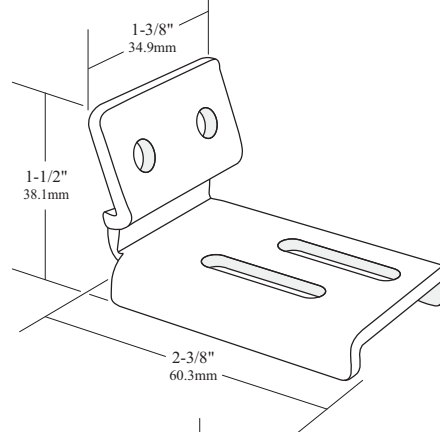
1-1/4" x 1-1/4" Composite Baluster



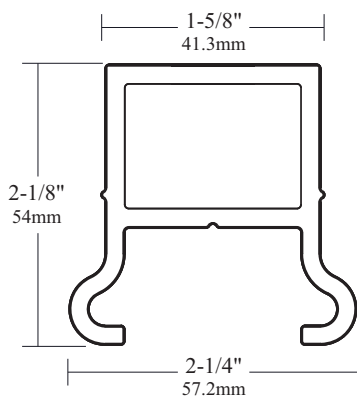
Baluster Retainer



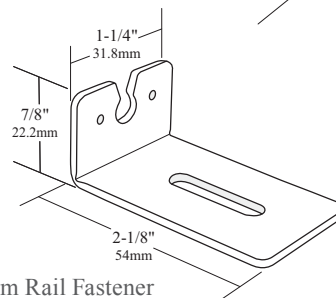
Top Rail Fastener



Bottom Rail Profile



Bottom Rail Fastener



DOCUMENT TITLE:		Composite Baluster Composite Railing Kit		
This drawing is the property of Fairway Vinyl Systems. Any hard copy of this drawing may not be current. This document and/or images contained within may not be reproduced in publication format without express written consent of Fairway Vinyl Systems. Drawings may not be to scale.				
<b>FX2 COMPOSITE RAILING</b>		UOM	REF#	REV
SCALE	SHEET#	1 of 1	DRAWN BY	DATE
			AJH	1/21/10

Dimensions and tolerances contained on drawings and figures are for reference only and may not encompass total allowable and approved dimensional variations.