



**Crown Mouldings** ..... 60

**Crown Mouldings Dentil** ..... 65

**Crown Mouldings Decorative** ..... 67

**Cornice Mouldings** ..... 69

**Smooth Flat Trim**..... 71

**Trim Brick Mould** ..... 72

**Trim & Casing**..... 73

**Mouldings**..... 73

**Mouldings Dentil** ..... 81

**Mouldings Decorative** ..... 84

**Moulding Accessories** ..... 85

**Miterless Accessories** ..... 86

**Timber Flat Trim** ..... 87

**Timber Brick Mould Stainable** ..... 87



## Break the Mould

### Mouldings

Take the ordinary and make it magnificent with more than 100 architectural styles – from massive cornice mouldings and dentil profiles to delicate Florentine trim and chair rails. Whether you want a simple, elegant design or something more elaborate, Fypon's variety of styles, sizes and combinations allows you to create a look like no other. **For installation instructions, please visit [www.fypon.com](http://www.fypon.com).**



## How to Use This Section

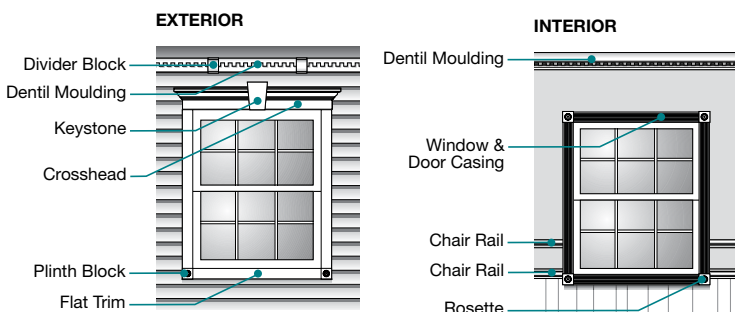
	Part Number	Projection	Height	Length	Bottom Thickness
	MLD593-16	2 1/2"	2 1/2"	16'	1/4"
	MLD451-16	3 1/8"	3"	16'	1/2"

For ease of use, the products in this section of the catalog are organized by architectural style. You can find a variety of products to match the aesthetics of almost any application conveniently grouped together. Where applicable, groups of mouldings are further sorted by height, from smallest to largest. Each product chart includes product images, dimensional data and part numbers to help specify, source and sell Fypon® mouldings. In some cases, the chart lists more data; in others, the line art contains more details. This is to ensure a comprehensive package.

## How to Order

### Mouldings

First choose the product that best fits your application. The large variety of sizes and styles can be applied to any home. Mouldings can be used individually or combined to create a new and distinctive look.



### Table & Blade Angles

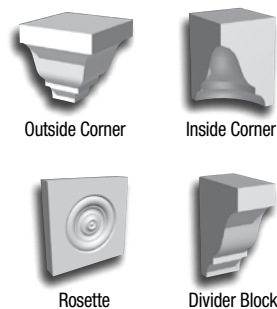
For recommended table and blade angles for mitering 90° corners, please visit [www.fypon.com](http://www.fypon.com).

### Remember to Order Adhesive

A urethane-based adhesive *must* be used on all joint surfaces. See page 184 to order PL Premium® Adhesive\*.

## Moulding Accessories


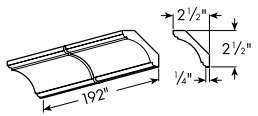

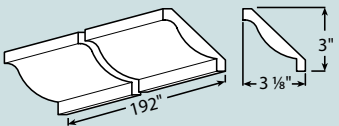

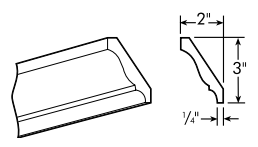


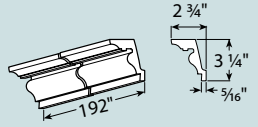

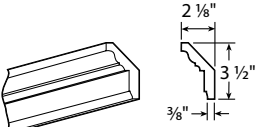

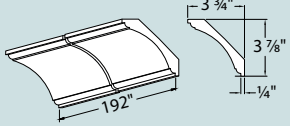

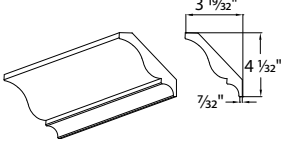

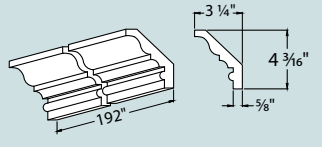
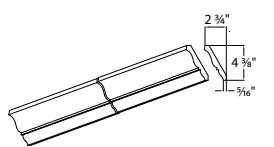
The accessories shown here are available to help make moulding installations quick and easy. Inside and outside corners eliminate the hassle of figuring complex miter cuts. Divider blocks and rosettes can be used between moulding lengths to eliminate the need for patching to create smooth seams. All moulding accessories are unattached and must be ordered separately. Refer to page 86 for miterless moulding accessories.




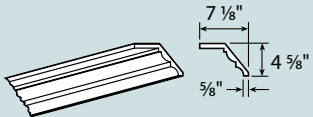

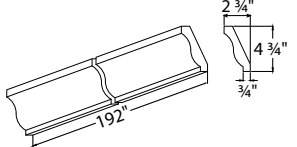

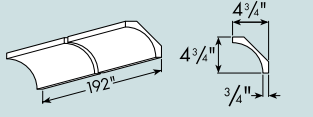

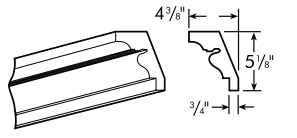

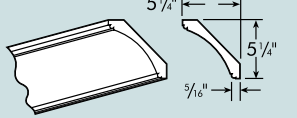

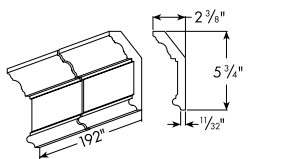

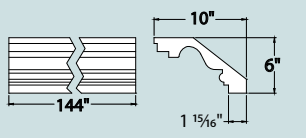



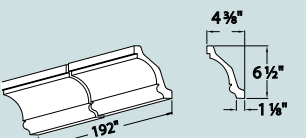
## Custom Products

If a unique product design is required, we can create it for you. To request a custom product, please contact the Fypon Custom Product Sales Department at 855.397.6647. You may also fill out our Custom Quote Request Form, which can be obtained at [www.fypon.com](http://www.fypon.com), or contact the Fypon Customer Service Department at 800.446.3040.


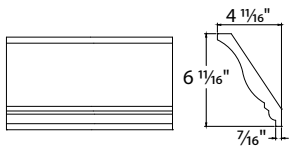

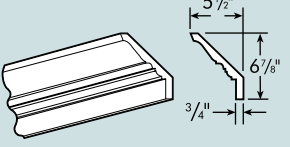

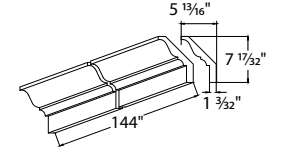

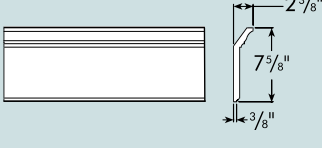

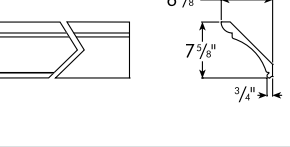

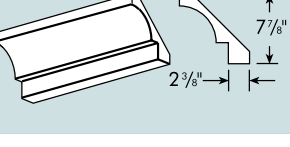

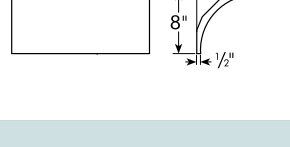

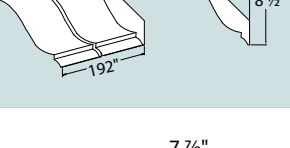


# Crown Mouldings

	Part Number	Projection	Height	Length	Bottom Thickness	
	MLD593-16	2 1/2"	2 1/2"	16'	1/4"	
	MLD451-16	3 1/8"	3"	16'	1/2"	
	MLD452-8	2"	3"	8'	1/4"	
	MLD452-12	2"	3"	12'	1/4"	
	MLD462-16	2 3/4"	3 1/4"	16'	5/16"	
	MLD552-12 Classic Crown Fascia	2 1/8"	3 1/2"	12'	3/8"	
	MLD592-16	3 3/4"	3 7/8"	16'	1/4"	
	MLD454-12	3 19/32"	4 1/32"	12'	7/32"	
	MLD572-16	3 1/4"	4 3/16"	16'	5/8"	
	MLD456-12	2 3/4"	4 3/8"	12'	5/16"	
	MLD456-16	2 3/4"	4 3/8"	16'	5/16"	


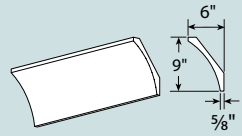

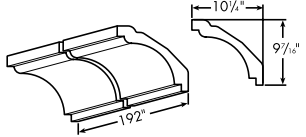

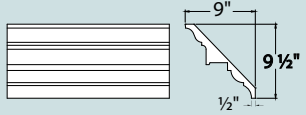

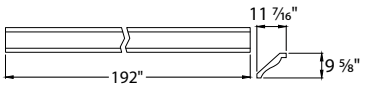

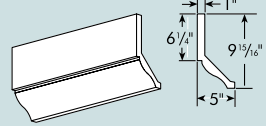

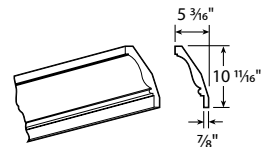

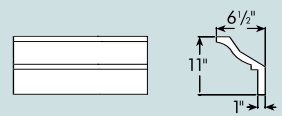

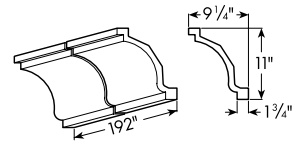

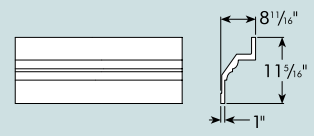
# Crown Mouldings *Continued*

	Part Number	Projection	Height	Length	Bottom Thickness	
	MLD471-12	7 1/8"	4 5/8"	12'	5/8"	
	MLD467-16	2 3/4"	4 3/4"	16'	3/4"	
	MLD584-16	4 3/4"	4 3/4"	16'	3/4"	
	MLD460-12	4 3/8"	5 1/8"	12'	3/4"	
	MLD606-12	5 1/4"	5 1/4"	12'	5/16"	
	MLD587-16	2 3/8"	5 3/4"	16'	11/32"	
	MLD470-12	10"	6"	12'	1 15/16"	
	MLD590-16	6"	6 1/4"	16'	1"	
	MLD589-16	4 3/8"	6 1/2"	16'	1 1/8"	


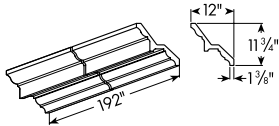

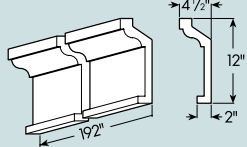

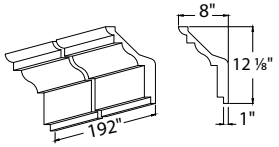

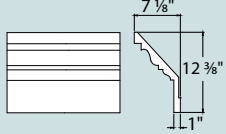

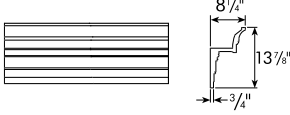

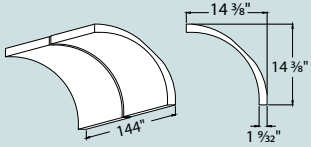

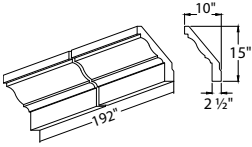

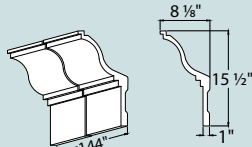

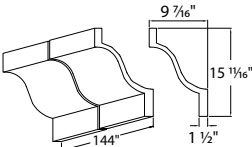
# Crown Mouldings *Continued*

	Part Number	Projection	Height	Length	Bottom Thickness	
	MLD453-16	4 11/16"	6 11/16"	16'	7/16"	
	MLD570-12 E-Vent Match EV570	5 1/2"	6 7/8"	12'	3/4"	
	MLD569-12	5 13/16"	7 17/32"	12'	1 3/32"	
	MLD253-16	2 3/8"	7 5/8"	16'	3/8"	
	MLD457-12	6 7/8"	7 5/8"	12'	3/4"	
	MLD582-12	7 7/8"	7 7/8"	12'	2 3/8"	
	MLD583-16	8"	8"	16'	1/2"	
	MLD449-16	7 1/4"	8 1/2"	16'	5/32"	
	MLD480-12 Ships in 2 pieces	7 7/8"	8 7/8"	12'	3/8"	

# Crown Mouldings *Continued*

	Part Number	Projection	Height	Length	Bottom Thickness	
	MLD635-12	6"	9"	12'	5/8"	
	MLD591-16	10 1/4"	9 7/16"	16'	1"	
	MLD535-16	9"	9 1/2"	16'	1/2"	
	MLD450-16	11 7/16"	9 5/8"	16'	1 9/16"	
	MLD581-12	5"	9 15/16"	12'	1"	
	MLD555-12	5 3/16"	10 11/16"	12'	7/8"	
	MLD371-16	6 1/2"	11"	16'	1"	
	MLD588-16	9 1/4"	11"	16'	1 3/4"	
	MLD364-12	8 11/16"	11 5/16"	12'	1"	

Crown Mouldings *Continued*


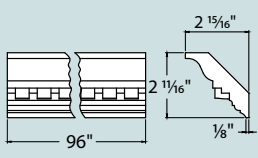

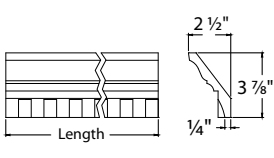

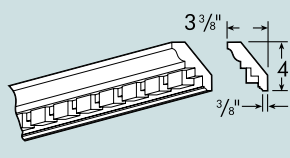

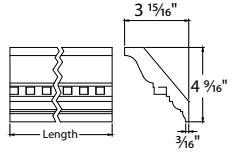

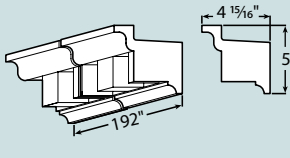
	Part Number	Projection	Height	Length	Bottom Thickness	
	MLD642-12	12"	11 3/4"	12'	1 3/8"	
	MLD539-16	4 1/2"	12"	16'	2"	
	MLD524-16	8"	12 1/8"	16'	1"	
	MLD580-12 E-Vent Match EV580	7 1/8"	12 3/8"	12'	1"	
	MLD372-14	8 1/4"	13 7/8"	14'	3/4"	
	MLD734-12	14 3/8"	14 3/8"	12'	1 9/32"	
	MLD556-16	10"	15"	16'	2 1/2"	
	MLD536-12	8 1/8"	15 1/2"	12'	1"	
	MLD528-12	9 7/16"	15 11/16"	12'	1 1/2"	



# Crown Mouldings *Continued*


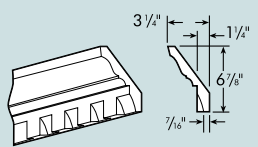

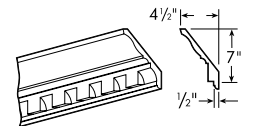

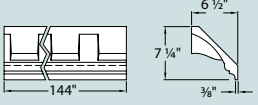

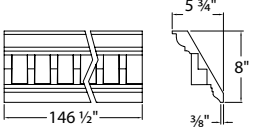

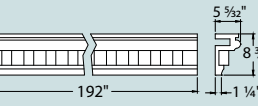

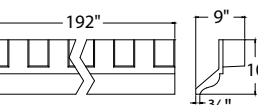

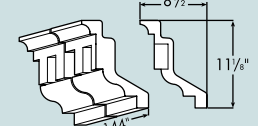

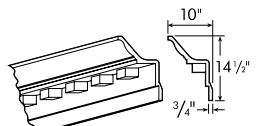

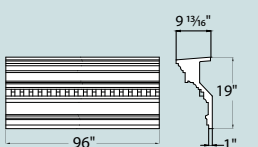
	Part Number	Projection	Height	Length	Bottom Thickness	
	MLD586-16	7"	16 1/2"	16'	1"	
	MLD585-12	10 1/2"	17"	12'	7/8"	
	MLD481-12	14 13/16"	17 3/8"	12'	1 11/16"	

# Crown Mouldings *Dentil*


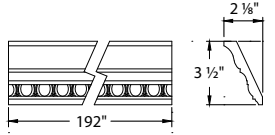

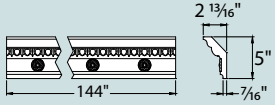

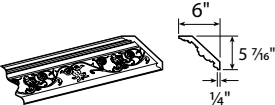

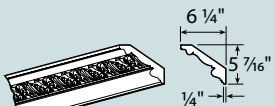

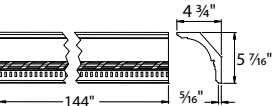

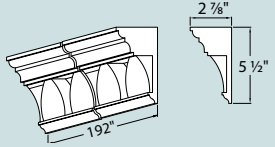

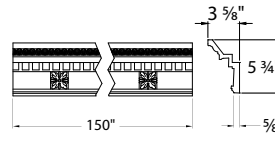

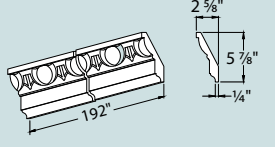

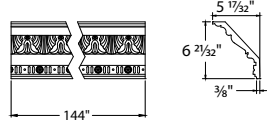
	Part Number	Projection	Height	Length	Bottom Thickness	Design Repeat	Tooth & Space	
	MLD400-8	2 15/16"	2 11/16"	8'	1/8"	1"	5/8" Tooth 3/8" Space	
	MLD404-8	2 1/2"	3 7/8"	8'	1/4"	1 1/2"	3/4" Tooth	
	MLD404-12	2 1/2"	3 7/8"	12'	1/4"	1 1/2"	3/4" Space	
	MLD404-16	2 1/2"	3 7/8"	16'	1/4"	1 1/2"	3/4" Space	
	MLD 406-16	3 3/8"	4"	16'	3/8"	2"	1 1/4" Tooth 3/4" Space	
	MLD432-12 Divider Block Accessory MDB432	3 15/16"	4 9/16"	12' 3"	3/16"	1"	1/2" Tooth 1/2" Space	
	MLD365-16	4 15/16"	5"	16'	3/8"	4 5/8"	2 1/4" Tooth 2 3/8" Space	




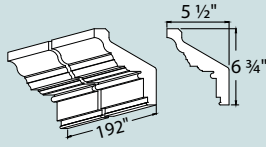

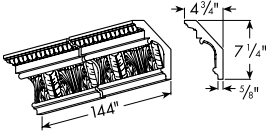

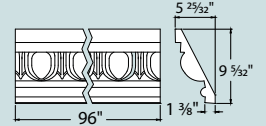

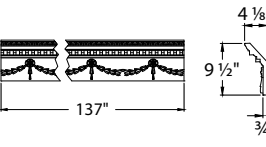

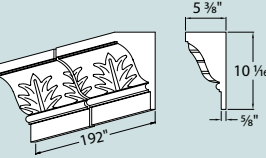

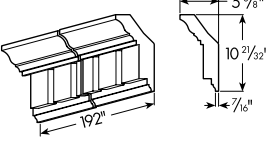
# Crown Mouldings *Dentil Continued*

	Part Number	Projection	Height	Length	Bottom Thickness	Design Repeat	Tooth & Space	
	MLD410-8	3 1/4"	6 7/8"	8'	7/16"	3"	1 1/2" Tooth	
	MLD410-12	3 1/4"	6 7/8"	12'	7/16"	3"	1 1/2" Space	
	MLD411-16	4 1/2"	7"	16'	1/2"	3"	1 1/2" Tooth 1 1/2" Space	
	MLD440-12	6 1/2"	7 1/4"	12'	3/8"	6 5/8"	4" Tooth 2 5/8" Space	
	MLD430-12	5 3/4"	8"	12' 2 1/4"	3/8"	2 5/8"	1 3/4" Tooth 7/8" Space	
	MLD362-16	5 5/32"	8 3/8"	16'	1 1/4"	4 1/2"	2 1/2" Tooth 2" Space	
	MLD435-16	9"	10"	16'	3/4"	7 3/8"	3 7/8" Tooth 3 1/2" Space	
	MLD413-12	8 1/2"	11 1/8"	12'	1 15/32"	5 5/8"	3" Tooth 2 5/8" Space	
	MLD421-12	10"	14 1/2"	12'	3/4"	6"	2" Tooth 4" Space	
	MLD461-8	9 13/16"	19"	8'	1"	2 1/2"	1 1/2" Tooth 1" Space	

# Crown Mouldings *Decorative*


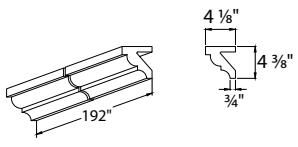

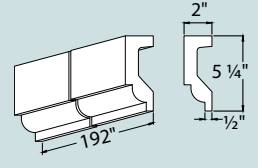

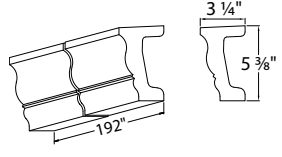

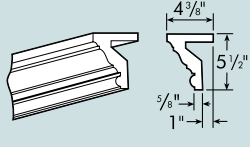

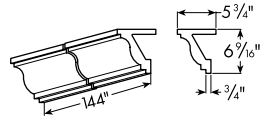

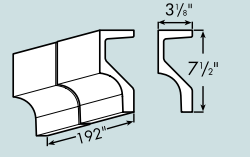

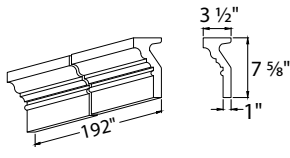

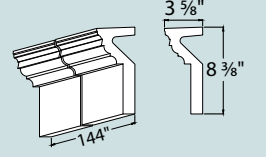

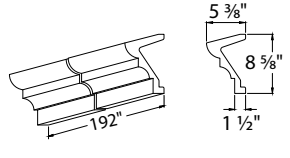
	Part Number	Projection	Height	Length	Bottom Thickness	Design Repeat	
	MLD565-16 Egg & Dart	2 1/8"	3 1/2"	16'	3/16"	1"	
	MLD423-12	2 13/16"	5"	12'	7/16"	6 1/4"	
	MLD490-12 Florentine	6"	5 7/16"	11' 5"	1/4"	—	
	MLD491-12 Acanthus Leaf	6 1/4"	5 7/16"	12'	1/4"	4"	
	MLD608-12	4 3/4"	5 7/16"	12'	5/16"	—	
	MLD651-16 Deco	2 7/8"	5 1/2"	16'	3/16"	5 15/32"	
	MLD405-12	3 5/8"	5 3/4"	12' 6"	5/8"	12 1/2"	 5/8" Tooth, 5/8" Space
	MLD564-16 Egg & Dart	2 5/8"	5 7/8"	16'	1/4"	2 13/16"	
	MLD493-12 Crown Leaf Divider Block Accessory MDB493	5 17/32"	6 21/32"	12'	3/8"	4"	

# Crown Mouldings *Decorative Continued*


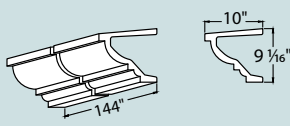

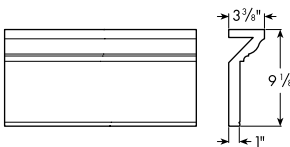

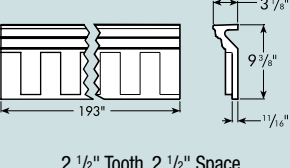

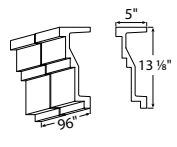

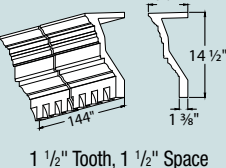

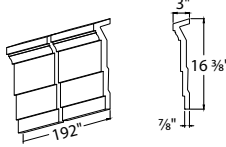

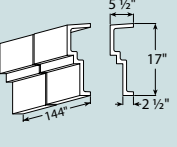

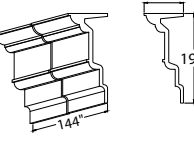

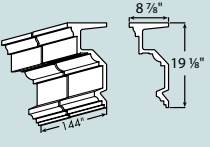
	Part Number	Projection	Height	Length	Bottom Thickness	Design Repeat	
	MLD436-16	5 1/2"	6 3/4"	16'	1/2"	9/32"	 <p>5/32" Tooth, 1/8" Space</p>
	MLD732-12	4 3/4"	7 1/4"	12'	5/8"	5 3/8"	
	MLD560-8 Egg & Dart	5 25/32"	9 5/32"	8'	1 3/8"	5 7/16"	
	MLD425-12	4 1/8"	9 1/2"	11' 5"	3/4"	13 1/2"	 <p>5/8" Tooth, 13/16" Space</p>
	MLD495-16	5 3/8"	10 1/16"	16'	5/8"	7 3/4"	
	MLD412-16	5 3/8"	10 21/32"	16'	7/16"	4"	 <p>3" Tooth, 1" Space</p>



# Cornice Mouldings

	Part Number	Projection	Height	Length	Bottom Thickness	Design Repeat	
	MLD513-16	4 1/8"	4 3/8"	16'	3/4"	—	
	MLD523-16	2"	5 1/4"	16'	1/2"	—	
	MLD509-16	3 1/4"	5 3/8"	16'	1 3/4"	—	
	MLD510-12	4 3/8"	5 1/2"	12'	5/8"	—	
	MLD511-12	5 3/4"	6 9/16"	12'	3/4"	—	
	MLD548-16	3 1/8"	7 1/2"	16'	1 1/8"	—	
	MLD527-16	3 1/2"	7 5/8"	16'	1"	—	
	MLD508-12	3 5/8"	8 3/8"	12'	1 5/32"	—	
	MLD547-16	5 3/8"	8 5/8"	16'	1 1/2"	—	

# Cornice Mouldings *Continued*

	Part Number	Projection	Height	Length	Bottom Thickness	Design Repeat	
	MLD545-12	10"	9 1/16"	12'	2 7/8"	—	
	MLD246-16	3 3/8"	9 1/8"	16'	1"	—	
	MLD336-16	3 1/8"	9 3/8"	16' 1"	1 1/16"	5"	
	MLD521-8 Sign Fascia	5"	13 1/8"	8'	15/16"	—	
	MLD419-12	6 3/4"	14 1/2"	12'	1 3/8"	3"	
	MLD506-16	3"	16 3/8"	16'	7/8"	—	
	MLD533-12	5 1/2"	17"	12'	2 1/2"	—	
	MLD543-12	8 1/4"	19"	12'	1/2"	—	
	MLD534-12	8 7/8"	19 1/8"	12'	9/16"	—	

# Smooth Flat Trim



Part Number	Thickness	Width	Length	Accessories
FLT177-8	1/2"	1"	8'	—
FLT131-16	1/2"	3"	16'	—
FLT178-8	1/2"	14"	8'	—
FLT100-12	5/8"	4 3/4"	12'	—
FLT181-8	5/8"	24"	8'	—
FLT101-12	3/4"	1 1/2"	12'	—
FLT102-8	3/4"	2 1/8"	8'	—
FLT102-10	3/4"	2 1/8"	10'	—
FLT103-12	3/4"	3"	12'	PB3X3, PB4X4
FLT122-16	3/4"	3 1/2"	16'	—
FLT110-16	3/4"	5 1/2"	16'	—
FLT109-12	3/4"	6"	12'	—
FLT186-16	3/4"	7 1/4"	16'	—
FLT113-8	3/4"	8"	8'	—
FLT118-8	3/4"	10"	8'	—
FLT152-8	1"	3 1/2"	8'	4F Arches
FLT152-12	1"	3 1/2"	12'	4F Arches
FLT152-16	1"	3 1/2"	16'	4F Arches
FLT153-12	1"	4"	12'	—
FLT159-8	1"	5 1/2"	8'	6F Arches, PB6X6
FLT159-12	1"	5 1/2"	12'	6F Arches, PB6X6
FLT159-16	1"	5 1/2"	16'	6F Arches, PB6X6
FLT162-6	1"	7 1/2"	6'	PB7X7, K8TF
FLT162-8	1"	7 1/2"	8'	PB7X7, K8TF
FLT162-14	1"	7 1/2"	14'	PB7X7, K8TF
FLT170-12	1"	9 1/2"	12'	—
FLT170-16	1"	9 1/2"	16'	—

Smooth Flat Trim *Continued*


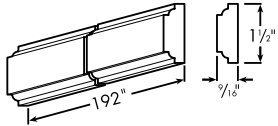

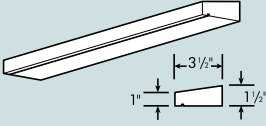

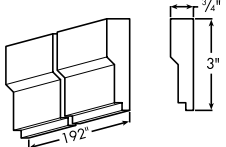
Part Number	Thickness	Width	Length	Accessories
FLT172-16	1"	11 1/2"	16'	—
FLT175-12	1"	12"	12'	—
FLT179-12	1"	16"	12'	—
FLT180-12	1"	24"	12'	—
FLT119-17	1"	32 1/4"	16' 11"	—
FLT125-8	1"	36"	8'	—
FLT40X96	1"	40"	8'	—
FLT184-16	1 1/2"	1 1/2"	16'	—
FLT194-10	1 1/2"	3 1/2"	10'	—
FLT183-12	1 1/2"	5 1/2"	12'	—
FLT163-16	1 1/2"	7 1/2"	16'	—
FLT182-12	1 1/2"	12 1/4"	12'	—
FLT185-12	1 1/2"	16 1/2"	12'	—
FLT190-12	2"	4"	12'	—

Trim *Brick Mould*


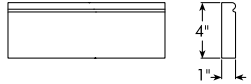

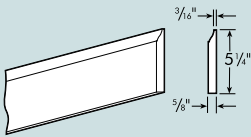

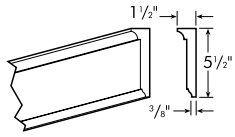

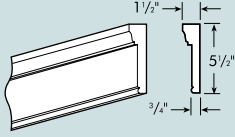




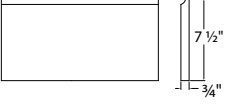
Part Number	Projection	Height	Length	Bottom Thickness	Accessories
MLDWM180-8	1 1/4"	2"	8'	1 1/16"	 Keystone KWM180M Page 43
MLDWM180-16	1 1/4"	2"	16'	1 1/16"	
MLDWM181-16	13/16"	2"	16'	5/8"	
MLDWM183-16	1 1/2"	2 1/8"	16'	1 5/16"	
MLDWM182-12	1 1/4"	3"	12'	1 1/16"	




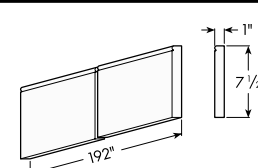

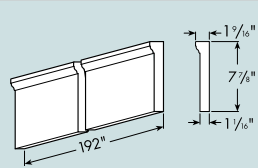

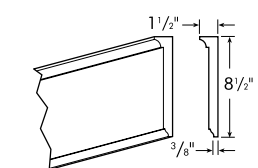

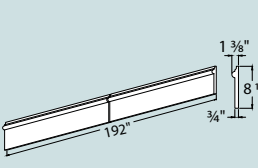

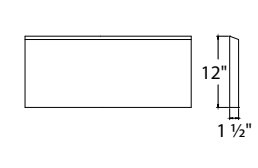

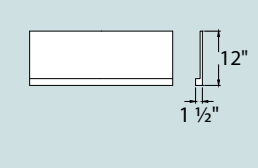

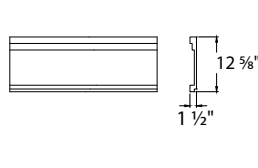

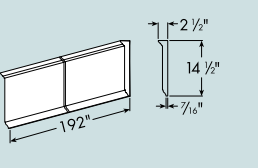

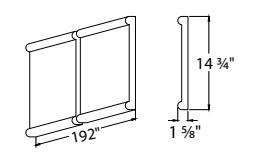
# Trim & Casing

	Part Number	Projection	Height	Length	Bottom Thickness	
	MLD637-16 Flat Astragal	9/16"	1 1/2"	16'	—	
	MLD710-10 Sill	3 1/2"	1 1/2" Tapers to 1"	10'	—	
	MLD239-16	3/4"	3"	16'	—	


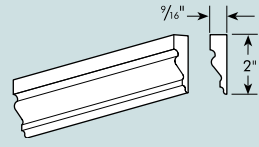

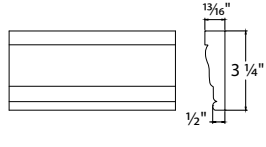

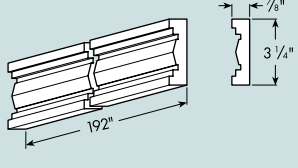

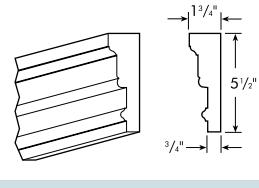


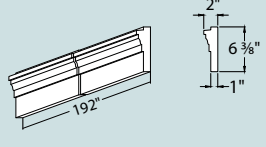

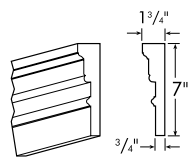


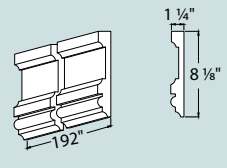

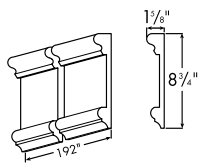

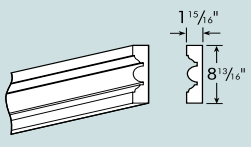
# Mouldings

	Part Number	Projection	Height	Length	Bottom Thickness	Accessories	
	MLD715-16 Beaded	1"	4"	16'	—	—	
<b>NOTE:</b> Line art is representative of actual part.							
	MLD706-16 Base Trim	5/8"	5 1/4"	16'	—	PB6X6	
	MLD224-12	1 1/2"	5 1/2"	12'	3/8"	—	
	MLD226-8	1 1/2"	5 1/2"	8'	3/4"	K226M PB220	
	MLD226-10	1 1/2"	5 1/2"	10'	3/4"		
	MLD226-12	1 1/2"	5 1/2"	12'	3/4"		
	MLD226-16	1 1/2"	5 1/2"	16'	3/4"		
	MLD705-16 Cove	3/4"	7 1/2"	16'	—	—	


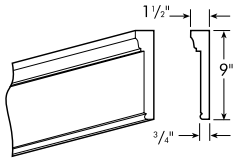

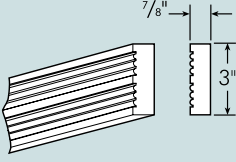


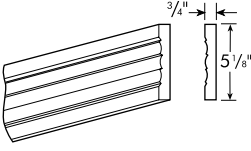

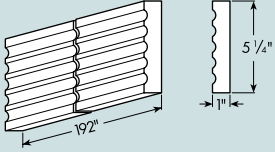

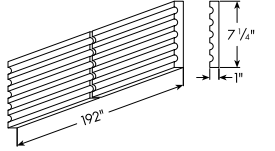

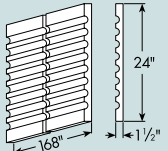

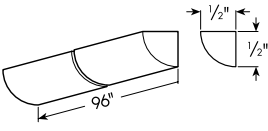

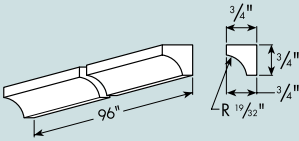
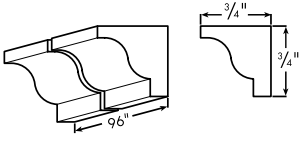
# Mouldings *Continued*

	Part Number	Projection	Height	Length	Bottom Thickness	Accessories	
	MLD735-16 Beaded	1"	7 1/2"	16'	—	—	
	MLD232-16	1 9/16"	7 7/8"	16'	1 1/16"	—	
	MLD225-12	1 1/2"	8 1/2"	12'	3/8"	—	
	MLD247-16	1 3/8"	8 11/16"	16'	3/4"	—	
	MLD708-12 Bevel	1 1/2"	12"	12'	—	—	
	MLD531-8 Matches MLD530-8	1 1/2"	12"	8'	—	—	
	MLD530-8 Matches MLD531-8	1 1/2"	12 5/8"	8'	—	—	
	MLD223-16	2 1/2"	14 1/2"	16'	7/16"	—	
	MLD522-16 Sign Fascia	1 5/8"	14 3/4"	16'	—	—	


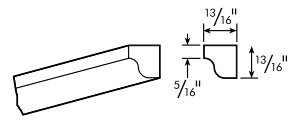

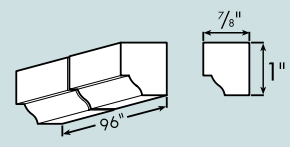

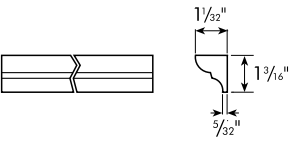

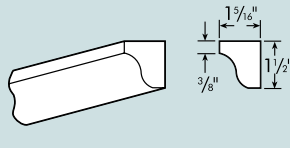

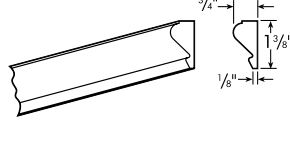

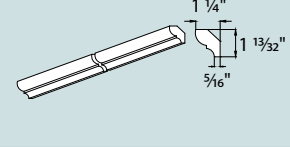

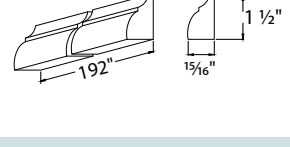

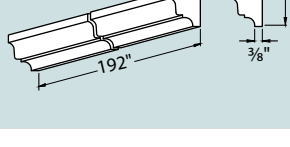

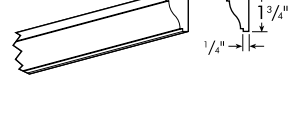
# Mouldings *Continued*

	Part Number	Projection	Height	Length	Bottom Thickness	Accessories	
	MLD621-16	9/16"	2"	16'	1/8"	—	
	MLD230-16	13/16"	3 1/4"	16'	1/2"	—	
	MLD235-16	7/8"	3 1/4"	16'	—	—	
	MLD220-12 6M Profile	1 3/4"	5 1/2"	12'	3/4"	PB220 K6TM KP6TM	
	MLD220-16 6M Profile	1 3/4"	5 1/2"	16'	3/4"		
	MLD228-16	2"	6 3/8"	16'	1"	—	
	MLD221-8	1 3/4"	7"	8'	3/4"	—	
	MLD221-16	1 3/4"	7"	16'	3/4"		
	MLD541-16	1 1/4"	8 1/8"	16'	—	—	
	MLD538-16	1 5/8"	8 3/4"	16'	—	—	
	MLD245-12	1 15/16"	8 13/16"	12'	—	—	


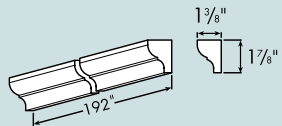

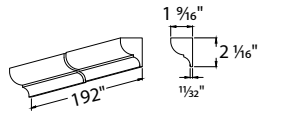

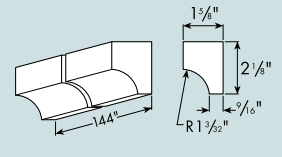


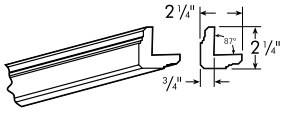

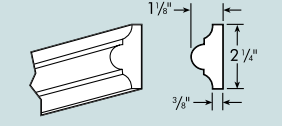

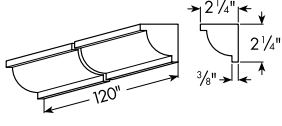

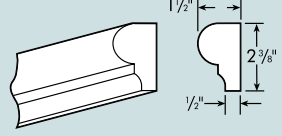

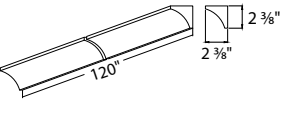

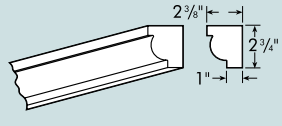
# Mouldings *Continued*

	Part Number	Projection	Height	Length	Bottom Thickness	Accessories	
	MLD227-16	1 1/2"	9"	16'	3/4"	—	
	MLD205-8	7/8"	3"	8'	—	PB3X3 PB4X4	
	MLD205-12	7/8"	3"	12'	—		
	MLD211-16	3/4"	5 1/8"	16'	—	PB5X5 PB5X5A PB6X6	
	MLD207-16 Fluted	1"	5 1/4"	16'	—	PB6X6	
	MLD208-16 Fluted	1"	7 1/4"	16'	—	PB7X7	
	MLD209-14 Fluted	1 1/2"	24"	14'	—	—	
	MLD603-8	1/2"	1/2"	8'	1/2"	—	
	MLD628-8 Cove	3/4"	3/4"	8'	1/4"	—	
	MLD633-8 Ogee	3/4"	3/4"	8'	3/16"	—	


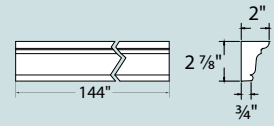

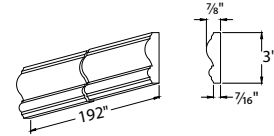

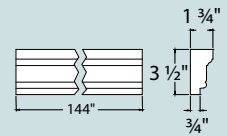

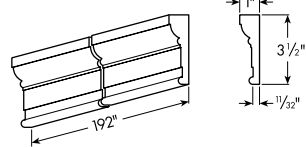

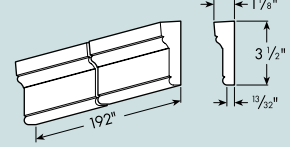

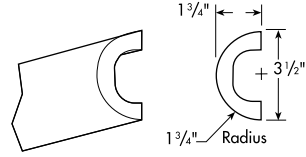

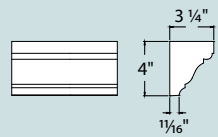

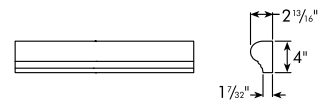

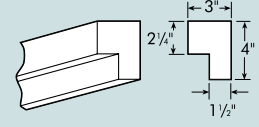
# Mouldings *Continued*

	Part Number	Projection	Height	Length	Bottom Thickness	Accessories	
	MLD602-8 Ogee Crosshead Trim Strip	13/16"	13/16"	8'	5/16"	—	
	MLD730-8	7/8"	1"	8'	—	—	
	MLD626-8 Bed Moulding	1 1/32"	1 3/16"	8'	5/32"	—	
	MLD601-12 Ogee	1 5/16"	1 1/2"	12'	3/8"	—	
	MLD612-12 Chair Rail	3/4"	1 3/8"	12'	1/8"	—	
	MLD455-12 Bed Moulding	1 1/4"	1 13/32"	12'	5/16"	—	
	MLD618-16 Base Cap	15/16"	1 1/2"	16'	15/16"	—	
	MLD648-16 Bed Moulding	1 1/2"	1 9/16"	16'	3/8"	—	
	MLD231-12 Window & Door Casing	1"	1 3/4"	12'	1/4"	—	

# Mouldings *Continued*


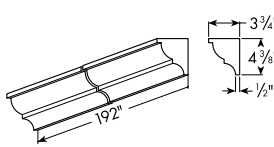

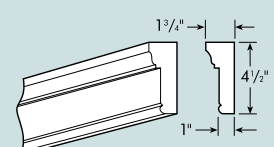



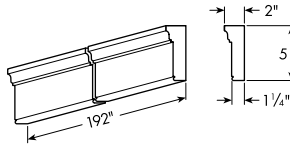

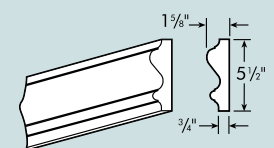

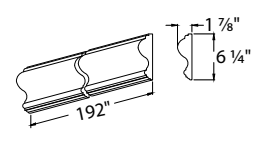

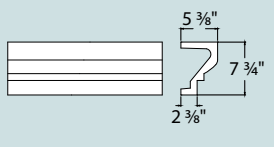

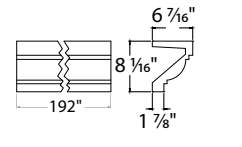

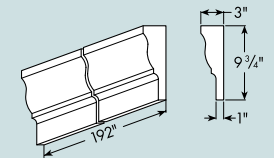
	Part Number	Projection	Height	Length	Bottom Thickness	Accessories	
	MLD634-16 Ogee	1 3/8"	1 7/8"	16'	3/32"	—	
	MLD649-16 Bed Moulding	1 9/16"	2 1/16"	16'	1 1/32"	—	
	MLD627-12 Chair Rail	1 5/8"	2 1/8"	12'	9/16"	—	
	MLD627-16 Chair Rail	1 5/8"	2 1/8"	16'	9/16"	—	
	MLD607-8 Corner Strip	2 1/4"	2 1/4"	8'	3/4"	—	
	MLD611-12 Chair Rail	1 1/8"	2 1/4"	12'	3/8"	—	
	MLD629-10 Bed Moulding	2 1/4"	2 1/4"	10'	3/8"	—	
	MLD610-8 Chair Rail	1 1/2"	2 3/8"	8'	1/2"	—	
	MLD660-10 Cove	2 3/8"	2 3/8"	10'	—	—	
	MLD613-12 Bed Moulding	2 3/8"	2 3/4"	12'	1"	—	

# Mouldings *Continued*


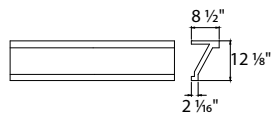

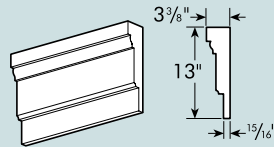

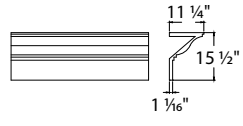
	Part Number	Projection	Height	Length	Bottom Thickness	Accessories	
	MLD214-12 Window & Door Casing	2"	2 7/8"	12'	3/4"	—	
	MLD631-16 Chair Rail	7/8"	3"	16'	7/16"	—	
	MLD215-12 4M Profile	1 3/4"	3 1/2"	12'	3/4"	PB215 K4TM KP4TM	
	MLD234-16 Window & Door Casing	1"	3 1/2"	16'	11/32"	—	
	MLD237-16	1 1/8"	3 1/2"	16'	13/32"	—	
	MLD605-12 Half Round	1 3/4"	3 1/2"	12'	—	—	
	<b>NOTE:</b> Line art is representative of actual part.						
	MLD240-8	3 1/4"	4"	8'	11/16"	DTLB6X4X6 DTLB9X11X16	
	MLD622-4 Chair Rail	2 13/16"	4"	4'	1 7/32"	—	
	MLD625-16 Chair Rail	3"	4"	16'	1 1/2"	—	




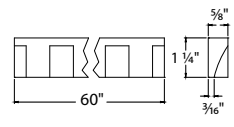

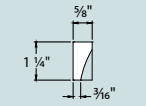
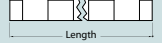

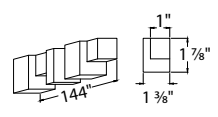

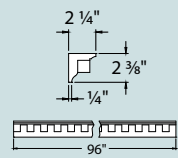

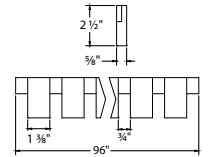
# Mouldings *Continued*

	Part Number	Projection	Height	Length	Bottom Thickness	Accessories	
	MLD641-16	3 3/4"	4 3/8"	16'	1/2"	—	
	MLD250-8	1 3/4"	4 1/2"	8'	1"	DTLB6X4X6 DTLB9X11X16	
	MLD250-10	1 3/4"	4 1/2"	10'	1"		
	MLD250-12	1 3/4"	4 1/2"	12'	1"		
	MLD236-16	2"	5 1/2"	16'	1 1/4"	PB220	
	MLD614-16 Chair Rail	1 5/8"	5 1/2"	16'	3/4"	—	
	MLD639-16 Fascia - Surround	1 7/8"	6 1/4"	16'	—	—	
	MLD311-16	5 3/8"	7 3/4"	16'	2 3/8"	—	
	MLD520-16	6 7/16"	8 1/16"	16'	1 7/8"	—	
	MLD644-16	3"	9 3/4"	16'	1"	—	


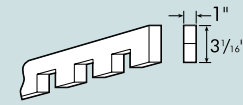

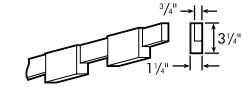

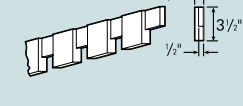

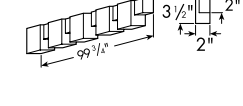





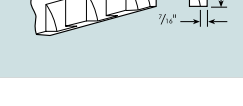



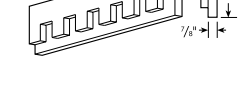

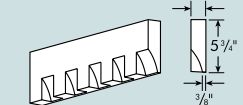


# Mouldings *Continued*

	Part Number	Projection	Height	Length	Bottom Thickness	Accessories	
	MLD512-16	8 1/2"	12 1/8"	16'	2 1/16"	—	
	<b>NOTE:</b> Line art is representative of actual part.						
	MLD505-8 Massive Fascia	3 3/8"	13"	8'	15/16"	—	
	MLD472-12	11 1/4"	15 1/2"	12'	1 1/16"	—	
	<b>NOTE:</b> Line art is representative of actual part.						


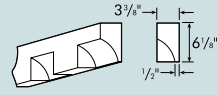

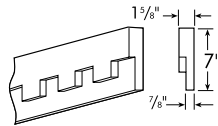

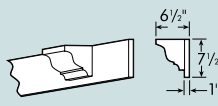

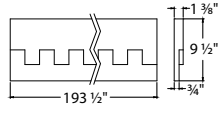

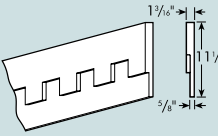

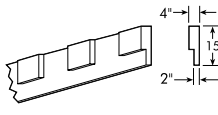

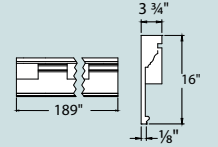
# Mouldings *Dentil*

	Part Number	Projection	Height	Length	Bottom Thickness	Design Repeat	Tooth & Space	Accessories	
	MLD303-5	5/8"	1 1/4"	5'	3/16"	1 1/2"	3/4" Tooth 3/4" Space	—	
	MLD304-5	5/8"	1 1/4"	5'	3/16"	2 1/2"	1 1/4" Tooth	—	
	MLD304-8	5/8"	1 1/4"	8'	3/16"	2 1/2"	1 1/4" Space	—	
	MLD356-12	1 3/8"	1 7/8"	12'	—	2 3/8"	1 1/4" Tooth 1 1/8" Space	—	
	MLD313-8	2 1/4"	2 3/8"	8'	1/4"	2"	1" Tooth 1" Space	—	
	MLD355-8	5/8"	2 1/2"	8' 3/8"	—	2 1/8"	1 3/8" Tooth 3/4" Space	—	

# Mouldings *Dentil Continued*

	Part Number	Projection	Height	Length	Bottom Thickness	Design Repeat	Tooth & Space	Accessories	
	MLD354-12	1"	3 1/16"	12' 2 1/4"	—	3 1/4"	1 5/8" Tooth 1 5/8" Space	—	
	MLD351-8	1 1/4"	3 1/4"	8' 2"	—	7"	3 1/2" Tooth 3 1/2" Space	—	
	MLD350-8	7/8"	3 1/2"	8' 3 3/4"	1/2"	3 11/16"	2 3/16" Tooth 1 1/2" Space	—	
	MLD352-8	2"	3 1/2"	8' 3 3/4"	—	3 11/16"	2 3/16" Tooth 1 1/2" Space	—	
	MLD360-8	3 1/2"	3 3/4"	8'	—	8"	3 11/16" Tooth 4 5/16" Space	—	
	MLD353-8	1 1/4"	4 7/16"	8' 1/4"	—	8 3/4"	4 3/8" Tooth 4 3/8" Space	—	
	MLD310-8	1 1/4"	4 1/2"	8'	7/16"	3"	1 17/32" Tooth	DTLB6X4X6 DTLB9X11X16	
	MLD310-12	1 1/4"	4 1/2"	12'	7/16"		1 15/32" Space		
	MLD310-16	1 1/4"	4 1/2"	16'	7/16"				
	MLD332-8	1 5/8"	5"	8'	7/8"	4"	2" Tooth 2" Space	DTLB9X11X16	
	MLD320-8	1 5/8"	5 3/4"	8'	3/8"	4 9/16"	2 3/8" Tooth	—	
	MLD320-12	1 5/8"	5 3/4"	12'	3/8"		2 3/16" Space		
	MLD320-16	1 5/8"	5 3/4"	16' 1 1/2"	3/8"				


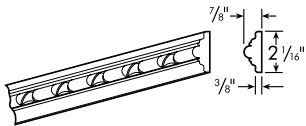

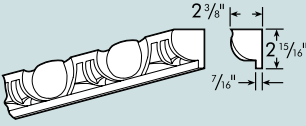

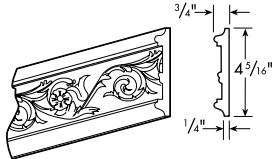

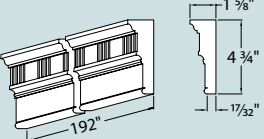

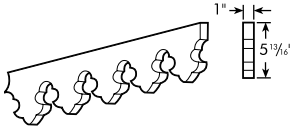

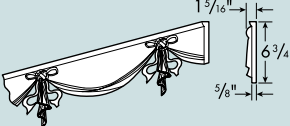

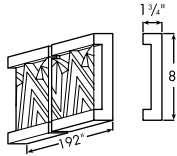

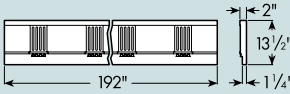
# Mouldings *Dentil Continued*

	Part Number	Projection	Height	Length	Bottom Thickness	Design Repeat	Tooth & Space	Accessories	
	MLD335-12	3 3/8"	6 1/8"	12'	1/2"	7 1/4"	3 1/16" Tooth 4 3/16" Space	—	
	MLD330-12	1 5/8"	7"	12'	7/8"	4"	2" Tooth 2" Space	—	
	MLD370-8	6 1/2"	7 1/2"	8'	1"	19 1/4"	4 3/4" Tooth 14 1/2" Space	—	
	MLD331-16	1 3/8"	9 1/2"	16' 1 1/2"	3/4"	4 1/2"	2 1/4" Tooth 2 1/4" Space	—	
	MLD333-12	1 3/16"	11 1/2"	12' 4 1/2"	5/8"	5 1/2"	2 3/4" Tooth 2 3/4" Space	—	
	MLD334-12	4"	15"	12' 3"	2"	21"	9" Tooth 12" Space	—	
	MLD434-16	3 3/4"	16"	15' 9"	1/8"	21"	9" Tooth 12" Space	—	


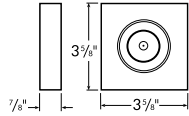
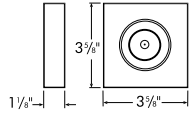
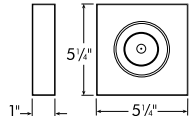
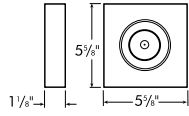
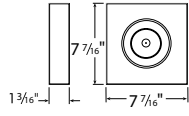

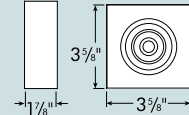
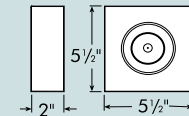

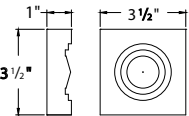

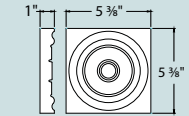
**NOTE:** Part comes with routed channel as shown in line art.



# Mouldings *Decorative*

	Part Number	Projection	Height	Length	Bottom Thickness	Design Repeat	
	MLD609-12 Chair Rail	7/8"	2 1/16"	12'	3/8"	1 7/8"	
	MLD562-8 Egg & Dart	2 3/8"	2 15/16"	8' 5"	7/16"	6 1/8"	
	MLD600-8 Florentine	3/4"	4 5/16"	8'	1/4"	5 5/8"	
	MLD600-10 Florentine	3/4"	4 5/16"	10'	1/4"	5 5/8"	
	MLD241-16	1 5/8"	4 3/4"	16'	17/32"	—	
	MLD640-8 Scalloped	1"	5 13/16"	8'	1"	6"	
	MLD604-12 Ribbon & Bow	1 5/16"	6 3/4"	11' 4"	5/8"	13 3/8"	
	MLD647-16 Deco	1 3/4"	8"	16'	1 3/4"	12"	
	MLD532-16	2"	13 1/2"	16'	1 1/4"	17 1/8"	


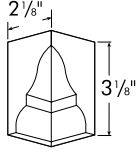

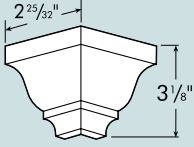

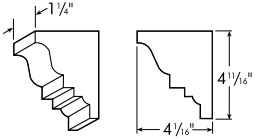

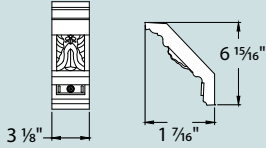
# Moulding Accessories *Plinth Blocks / Rosettes*

	Part Number	Width	Projection	Matching Parts	
	PB3X3	3 5/8"	7/8"	FLT103 MLD205	
	PB4X4	3 5/8"	1 1/8"	FLT103 MLD205 4F Arches	
	PB5X5	5 1/4"	1"	FLT109 MLD211	
	PB6X6	5 5/8"	1 1/8"	FLT159 MLD211 MLD706 6F Arches	
	PB7X7	7 7/16"	1 3/16"	MLD208	
	PB215	3 5/8"	1 1/8"	4M Arches MLD215	
	PB220	5 1/2"	2"	6M Arches, MLD220, MLD226, MLD236	
	PB4X4X1	3 1/2"	1"	FLT103, MLD205, FLT122, MLD230, FLT152, 4F Arches	
	PB5X5A	5 3/8"	1"	FLT109 MLD211	





# Miterless Accessories

	Part Number	Height	Width	Moulding Match	
	<b>MIC1</b> Inside Corner	3 1/8"	2 1/8"	MLD452	
	<b>MOC1</b> Outside Corner	3 1/8"	2 25/32"	MLD452	
	<b>MDB432</b> Divider Block	4 11/16"	1 1/4"	MLD432	
	<b>MDB493</b> Divider Block	6 15/16"	3 1/8"	MLD493	





## Timber Flat Trim *Stainable*



Part Number	Thickness	Width	Length
FLT151-12S	3/4"	3 1/2"	12'
FLT110-12S	3/4"	5 1/2"	12'
FLT187-12S	3/4"	7 1/2"	12'
FLT173-12S	3/4"	11 1/2"	12'
FLT30X228X1S	1"	30"	19'
FLT150-12S	1 1/2"	3 1/2"	12'
FLT111-12S	1 1/2"	5 1/2"	12'
FLT197-12S	1 1/2"	7 1/2"	12'
FLT192-12S	1 1/2"	11 1/2"	12'

## Timber Brick Mould *Stainable*



Part Number	Projection	Width	Thickness	Length
MLDWM180-8S	1 1/4"	2"	1 1/16"	8'