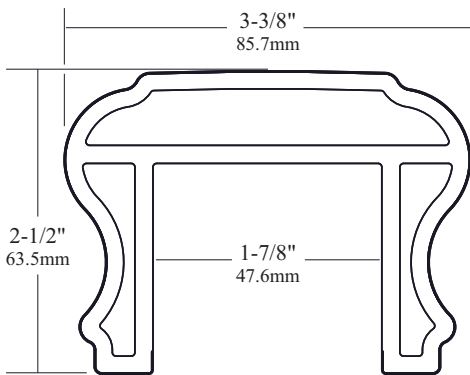


Top Rail Profile



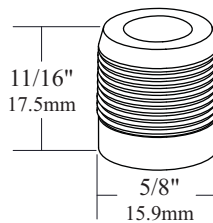
32" Balusters (36" Rail Height)

"A" - 36-1/8" 917.6mm
 "B" - 31-1/2" 800.1mm

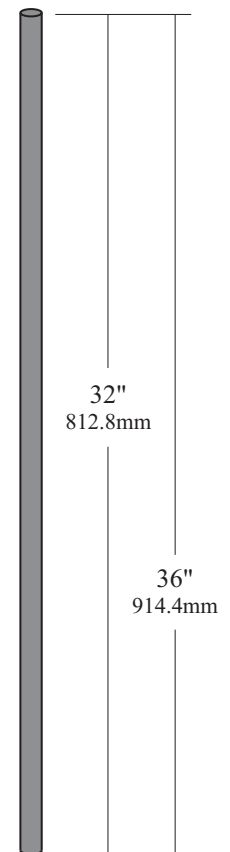
36" Balusters (42" Rail Height)

"A" - 40-1/8" 1019.2mm
 "B" - 35-1/2" 901.7mm

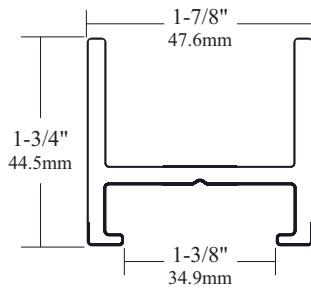
Aluminum Baluster Connector



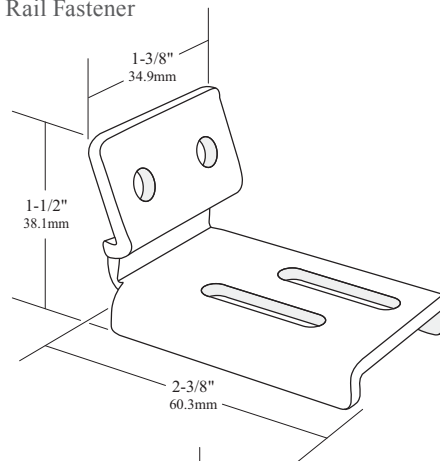
3/4" Aluminum Baluster



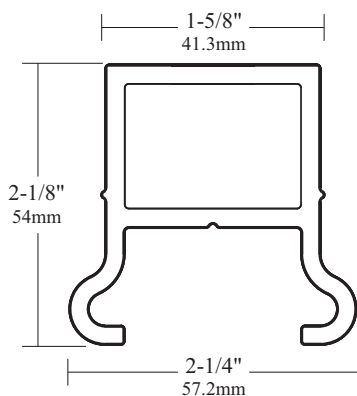
Baluster Retainer



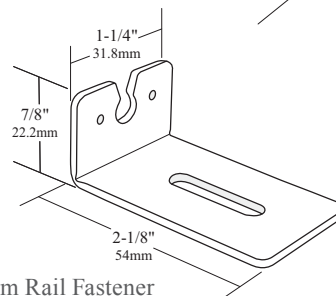
Top Rail Fastener



Bottom Rail Profile



Bottom Rail Fastener



DOCUMENT TITLE:		Aluminum Baluster Composite Railing Kit		
This drawing is the property of Fairway Vinyl Systems. Any hard copy of this drawing may not be current. This document and/or images contained within may not be reproduced in publication format without express written consent of Fairway Vinyl Systems. Drawings may not be to scale.				
SCALE		SHEET#		REV
1 of 1		1 of 1		v1.0
DRAWN BY		DATE		
A.J.H.		1/21/10		

Dimensions and tolerances contained on drawings and figures are for reference only and may not encompass total allowable and approved dimensional variations.