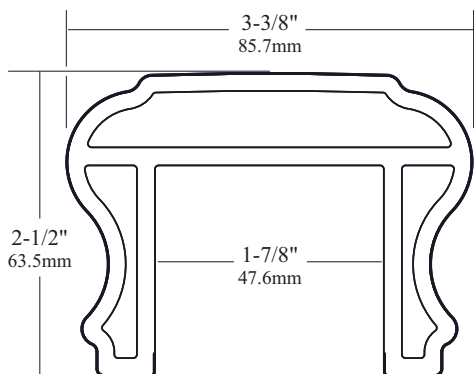


Top Rail Profile



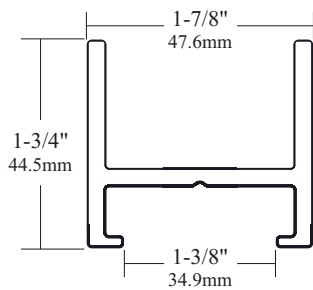
32" Balusters (36" Rail Height)

"A" - 36-7/8" 936.6mm
 "B" - 32-1/4" 819.2mm

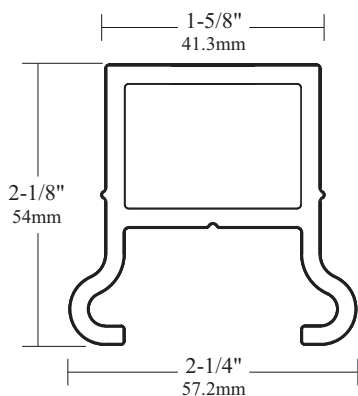
36" Balusters (42" Rail Height)

"A" - 42-7/8" 1089mm
 "B" - 37-1/2" 952.5mm

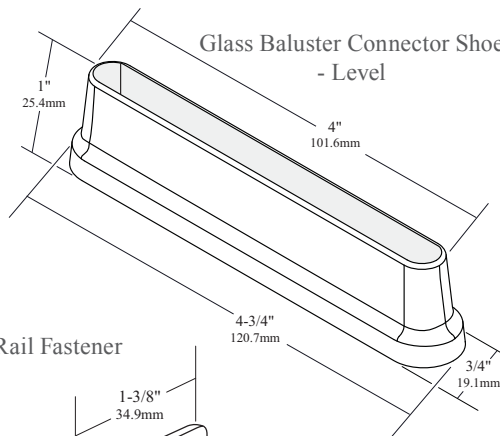
Baluster Retainer



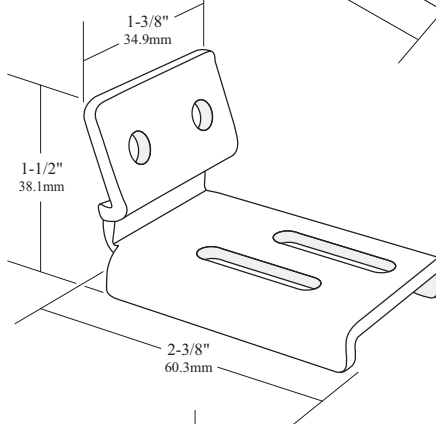
Bottom Rail Profile



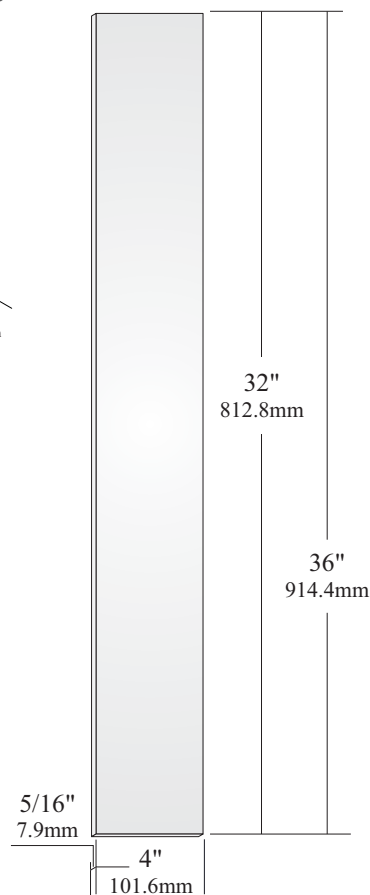
Glass Baluster Connector Shoe - Level



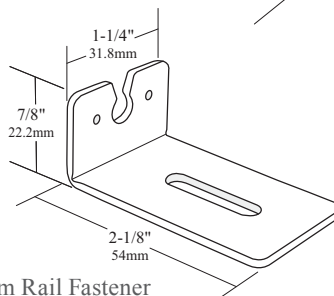
Top Rail Fastener



Glass Baluster



Bottom Rail Fastener



DOCUMENT TITLE:		Glass Baluster Composite Railing Kit		
<i>This drawing is the property of Fairway Vinyl Systems. Any hard copy of this drawing may not be current. This document and/or images contained within may not be reproduced in publication format without express written consent of Fairway Vinyl Systems. Drawings may not be to scale.</i>				
SCALE		SHEET#		REV
1 of 1		1 of 1		v1.0
DRAWN BY		DATE		
AJH		1/21/10		

Dimensions and tolerances contained on drawings and figures are for reference only and may not encompass total allowable and approved dimensional variations.