



Crown Mouldings .....	50
Crown Mouldings Dentil .....	57
Crown Mouldings Decorative .....	60
Cornice Mouldings .....	61
Smooth Flat Trim .....	64
Trim Brick Mould .....	65
Trim, Casing & Apron.....	66
Chair Rail .....	68
Baseboard Trim .....	70
Bed Moulding .....	71
Mouldings.....	72
Mouldings Dentil.....	80
Mouldings Decorative .....	83
Moulding Accessories .....	84

**FYPON**  
Where style meets performance

## Details, Details

### Mouldings

Whether your project calls for delicate Florentine trim, massive cornice mouldings, or anything in between, we offer a variety of beautiful options that range from simple to ornate. Our portfolio of tasteful, inspired styles is available in a range of sizes and combinations, so you can boost a home's character — and the homeowner's satisfaction. For installation and finishing instructions, please visit [www.fypon.com](http://www.fypon.com).

## How to Use This Section

The products in this section of the catalog are organized by architectural style. You can find a variety of products to match the aesthetics of almost any application conveniently grouped together. Where applicable, groups of mouldings are further sorted by height, from smallest to largest.

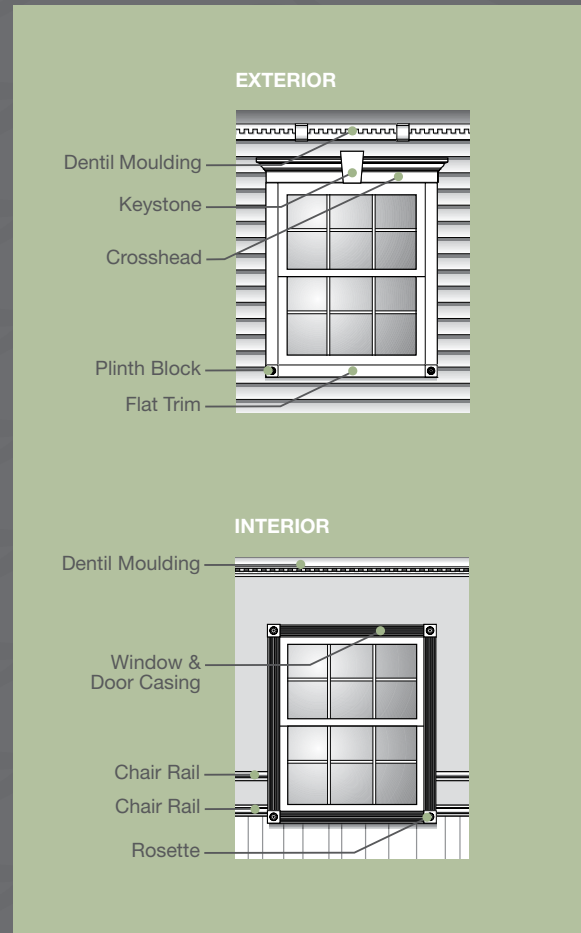
## How to Order

### Mouldings

First choose the product that best fits your application. The large variety of sizes and styles can be applied to any home. Mouldings can be used individually or combined to create a new and distinctive look.

### Moulding Accessories

The accessories shown here are available to help make moulding installations quick and easy. Rosettes can be used between moulding lengths to eliminate the need for patching to create smooth seams. All rosettes are unattached and must be ordered separately. Refer to page 84 for moulding accessories.



### Remember to Order Adhesive

A urethane-based adhesive **must** be used on all joint surfaces. See page 172 to order Loctite® PL Premium® Adhesive.\*



### Table & Blade Angles

For recommended table and blade angles for mitering 90° corners, please visit the product support section at [www.fypon.com](http://www.fypon.com).


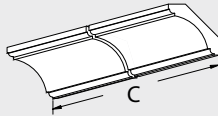
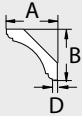

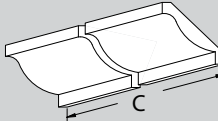
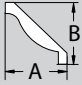

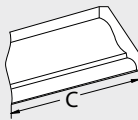
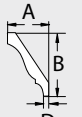

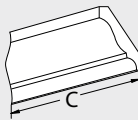
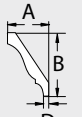

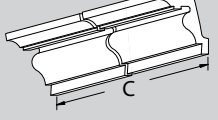
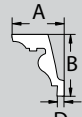

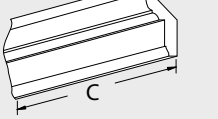
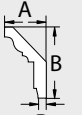

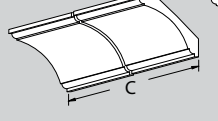
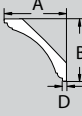

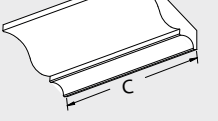


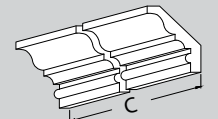
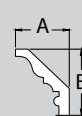


\* Loctite® PL Premium® is owned by Henkel IP & Holding GmbH.

Always consult the local building code authority to determine suitability of products to meet specific project requirements.

Images are representative of style, actual product will vary by size.


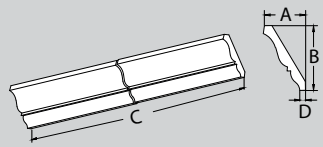

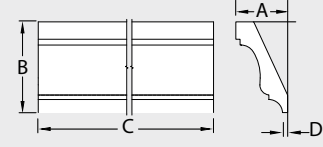

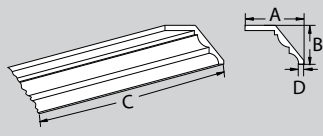

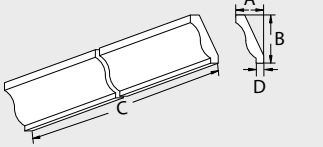

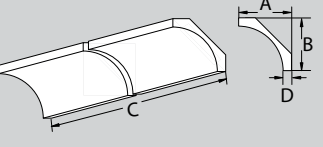
# Crown Mouldings

	Part Number	Projection (A)	Height (B)	Length (C)	Bottom Thickness (D)		
	MLD593-16	2 1/2"	2 1/2"	16'	1/4"		
	MLD451-16	3 1/8"	3"	16'	1/2"		
	MLD452-8	2"	3"	8'	1/4"		
	MLD452-12	2"	3"	12'	1/4"		
	MLD462-16	2 3/4"	3 1/4"	16'	1/4"		
	MLD552-12	2 1/8"	3 1/2"	12'	3/8"		
	MLD592-16	3 3/4"	3 7/8"	16'	1/4"		
	MLD454-12	3 5/8"	4 1/8"	12'	1/4"		
	MLD572-16	3 1/4"	4 1/4"	16'	5/8"		



# Crown Mouldings


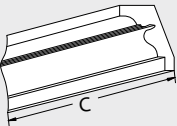
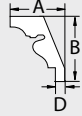

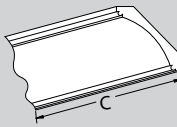
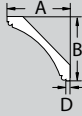

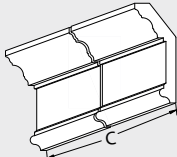


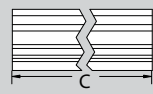
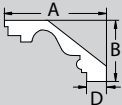

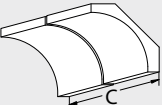
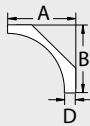
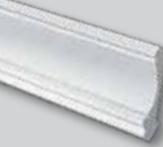
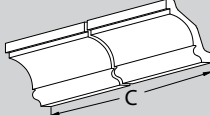
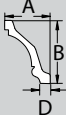


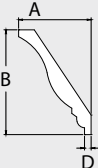

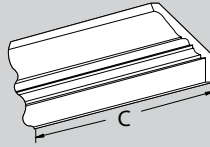
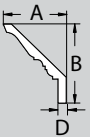
Continued

	Part Number	Projection (A)	Height (B)	Length (C)	Bottom Thickness (D)	
	MLD456-12	2 3/4"	4 3/8"	12'	1/4"	
	MLD456-16	2 3/4"	4 3/8"	16'	1/4"	
	MLD1036-12	2 1/2"	4 1/2"	12'	1/4"	
	MLD1037-12	3 1/8"	5 5/8"	12'	1/4"	
	MLD471-12	7 1/8"	4 5/8"	12'	5/8"	
	MLD467-16	2 3/4"	4 3/4"	16'	3/4"	
	MLD584-16	4 3/4"	4 3/4"	16'	3/4"	

Parts may be required to ship LTL (less than truckload) based on size and overall dimensions.


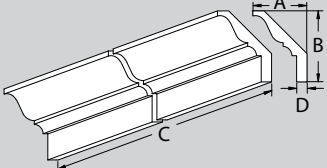

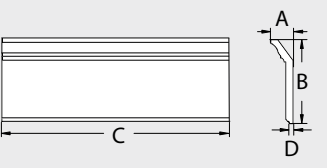

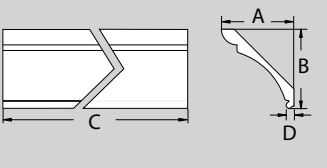
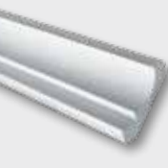
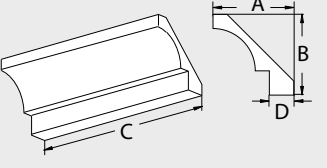

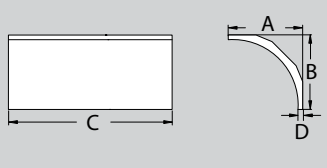

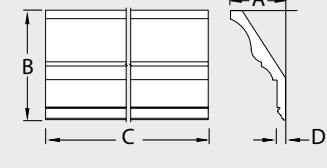

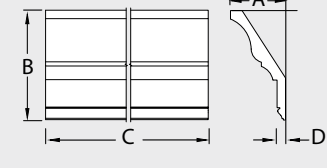

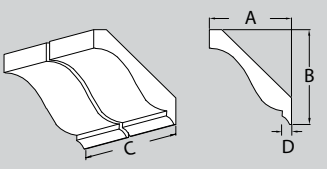

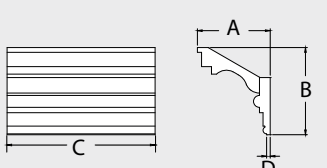
# Crown Mouldings

Continued

	Part Number	Projection (A)	Height (B)	Length (C)	Bottom Thickness (D)		
	MLD460-12	4 3/8"	5 1/8"	12'	3/4"		
	MLD606-12	5 1/4"	5 1/4"	12'	1/4"		
	MLD587-16	2 3/8"	5 3/4"	16'	3/8"		
	MLD470-12	10"	6"	12'	2"		
	MLD590-16	6"	6 1/4"	16'	1"		
	MLD589-16	4 3/8"	6 1/2"	16'	1 1/8"		
	MLD453-16	4 3/4"	6 3/4"	16'	1/2"		
	MLD570-12	5 1/2"	6 7/8"	12'	3/4"		

# Crown Mouldings


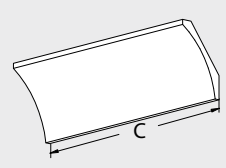
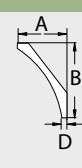

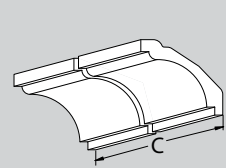
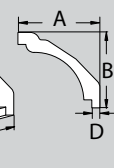

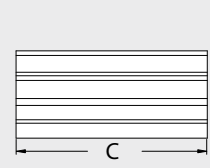
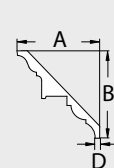

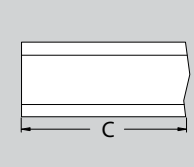
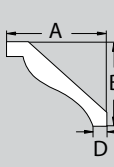

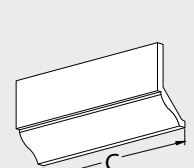
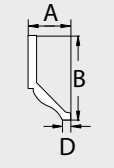

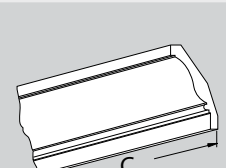
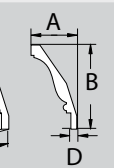
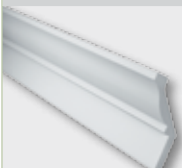
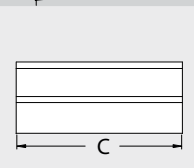
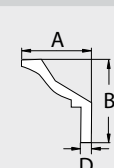

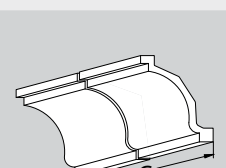
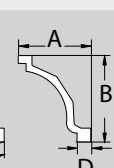

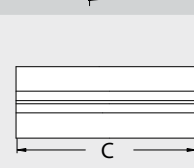
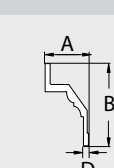
*Continued*

	Part Number	Projection (A)	Height (B)	Length (C)	Bottom Thickness (D)	
	MLD569-12	5 3/4"	7 17/32"	12'	1 1/8"	
	MLD253-16	2 3/8"	7 5/8"	16'	3/8"	
	MLD457-12	6 7/8"	7 5/8"	12'	3/4"	
	MLD582-12	7 7/8"	7 7/8"	12'	2 3/8"	
	MLD583-16	8"	8"	16'	1/2"	
	MLD1001-12	4 1/8"	8 1/8"	12'	1/8"	
	MLD1002-12	5 1/8"	10 1/8"	12'	1/8"	
	MLD449-16	7 1/8"	8 1/2"	16'	1/8"	
	MLD480-12 Ships in 2 pieces	7 7/8"	8 7/8"	12'	3/8"	

Parts may be required to ship LTL (less than truckload) based on size and overall dimensions.

# Crown Mouldings

Continued

	Part Number	Projection (A)	Height (B)	Length (C)	Bottom Thickness (D)		
	MLD635-12	6"	9"	12'	5/8"		
	MLD591-16	10 1/4"	9 1/2"	16'	1"		
	MLD535-16	9"	9 1/2"	16'	1/2"		
	MLD450-16	11 1/2"	9 5/8"	16'	1 1/2"		
	MLD581-12	5"	10"	12'	1"		
	MLD555-12	5 1/4"	10 3/4"	12'	7/8"		
	MLD371-16	6 1/2"	11"	16'	1"		
	MLD588-16	9 1/4"	11"	16'	1 3/4"		
	MLD364-12	8 3/4"	11 1/4"	12'	1"		


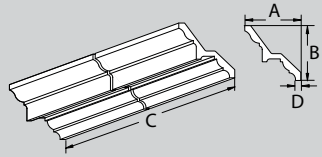
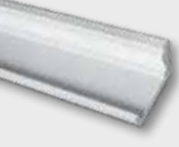
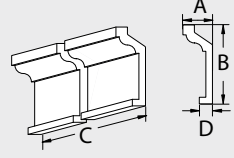

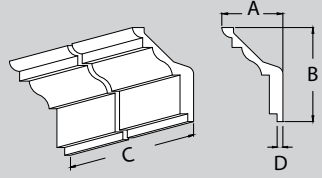

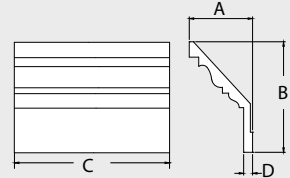

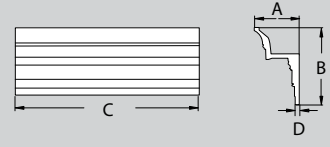

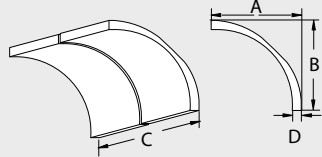

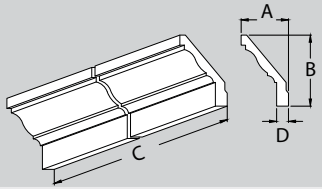

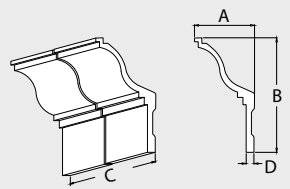

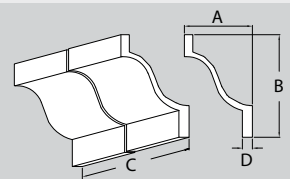
Parts may be required to ship LTL (less than truckload) based on size and overall dimensions.





# Crown Mouldings


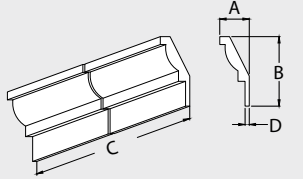

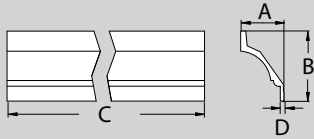

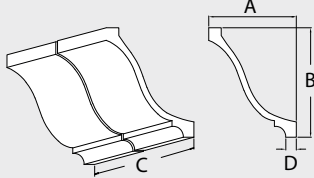
Continued

Part Number	Projection (A)	Height (B)	Length (C)	Bottom Thickness (D)	
 MLD642-12	12"	11 3/4"	12'	1 3/8"	
 MLD539-16	4 1/2"	12"	16'	2"	
 MLD524-16	8"	12 1/8"	16'	1"	
 MLD580-12	7 1/8"	12 3/8"	12'	1"	
 MLD372-14	8 1/4"	13 7/8"	14'	3/4"	
 MLD734-12	14 3/8"	14 3/8"	12'	1 1/4"	
 MLD556-16	10"	15"	16'	2 1/2"	
 MLD536-12	8 1/8"	15 1/2"	12'	1"	
 MLD528-12	9 1/2"	15 3/4"	12'	1 1/2"	




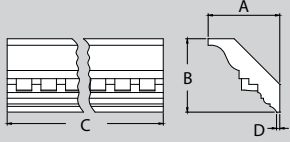

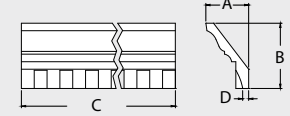



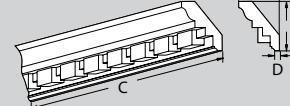
## Crown Mouldings

*Continued*

Part Number	Projection (A)	Height (B)	Length (C)	Bottom Thickness (D)	
 MLD586-16	7"	16 1/2"	16'	1"	
 MLD585-12	10 1/2"	17"	12'	7/8"	
 MLD481-12	14 3/4"	17 3/8"	12'	1 3/4"	

## Crown Mouldings


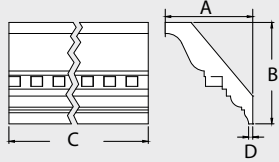

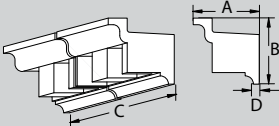

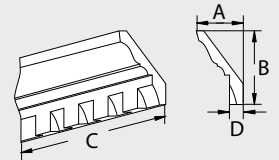

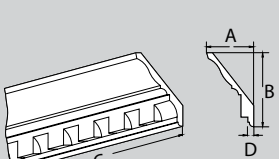

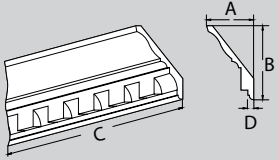

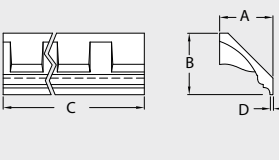

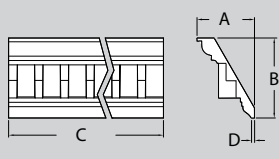
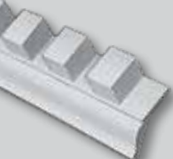
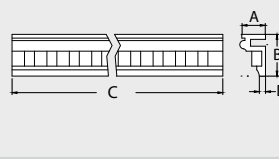

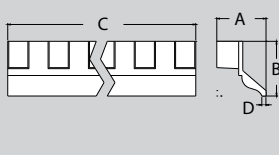
*Dentil*

Part Number	Projection (A)	Height (B)	Length (C)	Bottom Thickness (D)	Design Repeat	Tooth & Space
 MLD400-8	3"	2 3/4"	8'	1/8"	1"	5/8" Tooth 3/8" Space 
 MLD404-8	2 1/2"	3 7/8"	8'	1/4"	1 1/2"	3/4" Tooth 
 MLD404-16	2 1/2"	3 7/8"	16'	1/4"	1 1/2"	3/4" Space 
 MLD406-16	3 3/8"	4"	16'	3/8"	2"	1 1/4" Tooth 3/4" Space 

Parts may be required to ship LTL (less than truckload) based on size and overall dimensions.

# Crown Mouldings


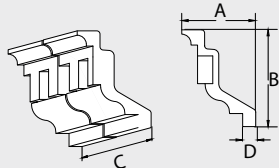

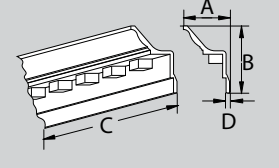
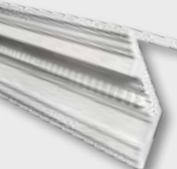
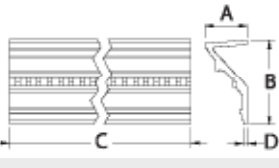
*Dentil Continued*

	Part Number	Projection (A)	Height (B)	Length (C)	Bottom Thickness (D)	Design Repeat	Tooth & Space	
	MLD432-12	4"	4 1/2"	12' 3"	1/4"	1"	1/2" Tooth 1/2" Space	
	MLD365-16	5"	5"	16'	3/8"	4 5/8"	2 1/4" Tooth 2 3/8" Space	
	MLD410-8	3 1/4"	6 7/8"	8'	1/2"	3"	1 1/2" Tooth	
	MLD410-12	3 1/4"	6 7/8"	12'	1/2"	3"	1 1/2" Space	
	MLD411-16	4 1/2"	7"	16'	1/2"	3"	1 1/2" Tooth 1 1/2" Space	
	MLD440-12	6 1/2"	7 1/4"	12'	3/8"	6 5/8"	4" Tooth 2 5/8" Space	
	MLD430-12	5 3/4"	8"	12' 2 1/4"	1/4"	2 5/8"	1 3/4" Tooth 7/8" Space	
	MLD362-16	5 1/8"	8 3/8"	16'	1 1/4"	4 1/2"	2 1/2" Tooth 2" Space	
	MLD435-16	9"	10"	16'	3/4"	7 3/8"	3 7/8" Tooth 3 1/2" Space	



## Crown Mouldings


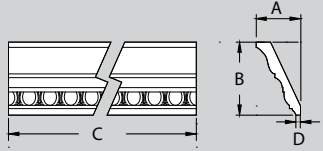

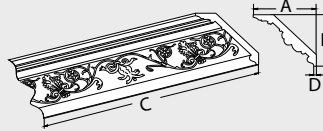
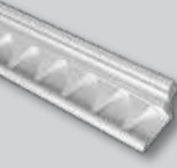
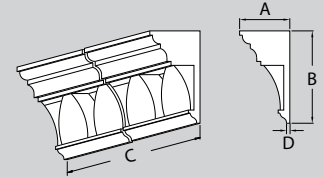

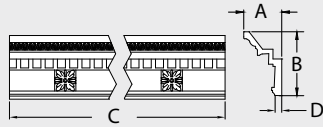

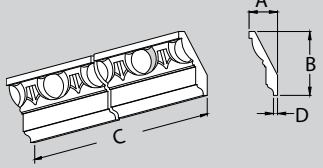

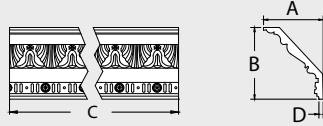

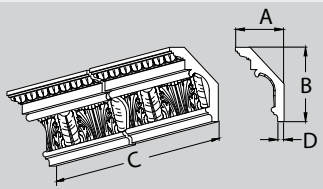

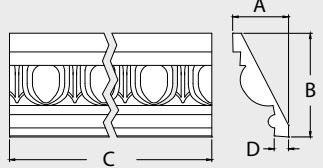

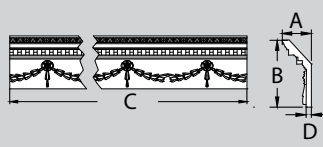
*Dentil Continued*

	Part Number	Projection (A)	Height (B)	Length (C)	Bottom Thickness (D)	Design Repeat	Tooth & Space	
	MLD413-12	8 1/2"	11 1/8"	12'	1 1/2"	5 5/8"	3" Tooth 2 5/8" Space	
	MLD421-12	10"	14 1/2"	12'	3/4"	6"	2" Tooth 4" Space	
	MLD461-8	9 3/4"	19"	8'	1"	2 1/2"	1 1/2" Tooth 1" Space	

Parts may be required to ship LTL (less than truckload) based on size and overall dimensions.


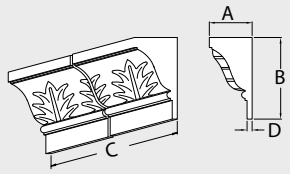

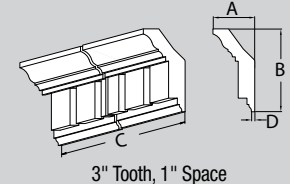
# Crown Mouldings

Decorative


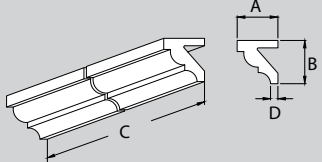

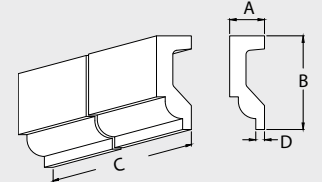
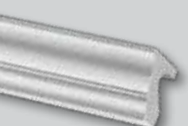
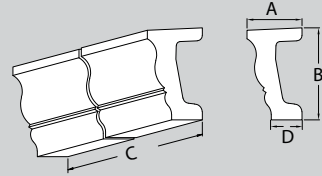
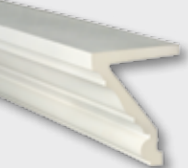
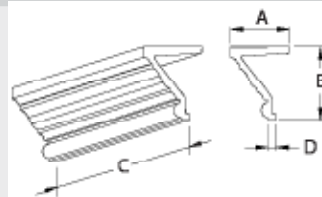
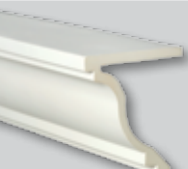
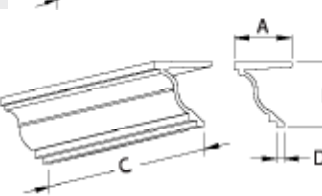

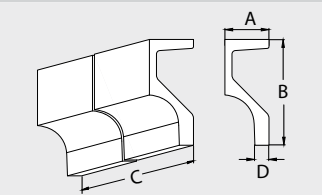
	Part Number	Projection (A)	Height (B)	Length (C)	Bottom Thickness (D)	Design Repeat	
	<b>MLD565-16</b> Egg & Dart	2 1/8"	3 1/2"	16'	1/4"	1"	
	<b>MLD490-12</b> Florentine	6"	5 1/2"	11' 5"	1/4"	—	
	<b>MLD651-16</b> Deco	2 7/8"	5 1/2"	16'	1/4"	5 1/2"	
	<b>MLD405-12</b>	3 5/8"	5 3/4"	12' 6"	5/8"	12 1/2"	 5/8" Tooth, 5/8" Space
	<b>MLD564-16</b> Egg & Dart	2 5/8"	5 7/8"	16'	1/4"	2 3/4"	
	<b>MLD493-12</b> Crown Leaf	5 1/2"	6 5/8"	12'	3/8"	4"	
	<b>MLD732-12</b>	4 3/4"	7 1/4"	12'	5/8"	5 3/8"	
	<b>MLD560-8</b> Egg & Dart	5 3/4"	9 1/8"	8'	1 3/8"	5 1/4"	
	<b>MLD425-12</b>	4 1/8"	9 1/2"	11' 5"	3/4"	13 1/2"	 5/8" Tooth, 13/16" Space

# Crown Mouldings

Decorative Continued

	Part Number	Projection (A)	Height (B)	Length (C)	Bottom Thickness (D)	Design Repeat	
	MLD495-16	5 3/8"	10 1/8"	16'	5/8"	7 3/4"	
	MLD412-16	5 3/8"	10 5/8"	16'	1/2"	4"	


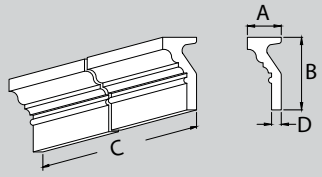

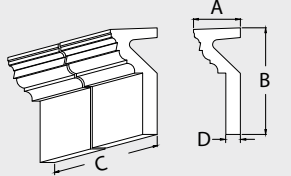

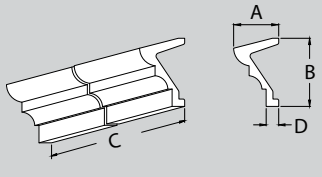

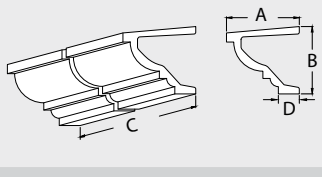

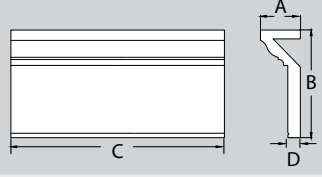

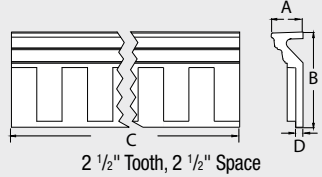

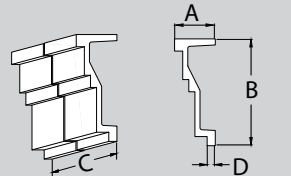

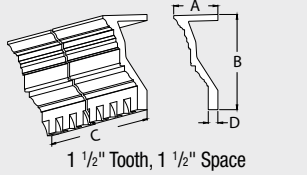
# Cornice Mouldings

	Part Number	Projection (A)	Height (B)	Length (C)	Bottom Thickness (D)	Design Repeat	
	MLD513-16	4 1/8"	4 3/8"	16'	3/4"	—	
	MLD523-16	2"	5 1/4"	16'	1/2"	—	
	MLD509-16	3 1/4"	5 3/8"	16'	1 3/4"	—	
	MLD510-12	4 3/8"	5 1/2"	12'	5/8"	—	
	MLD511-12	5 3/4"	6 1/2"	12'	3/4"	—	
	MLD548-16	3 1/8"	7 1/2"	16'	1 1/8"	—	

Parts may be required to ship LTL (less than truckload) based on size and overall dimensions.

# Cornice Mouldings


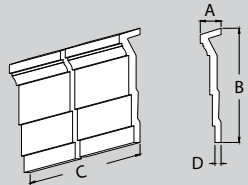

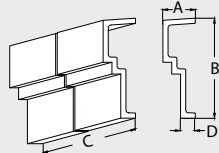

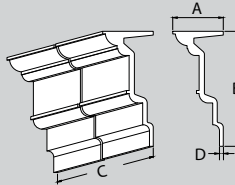

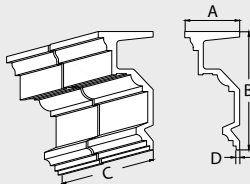
Continued

	Part Number	Projection (A)	Height (B)	Length (C)	Bottom Thickness (D)	Design Repeat	
	MLD527-16	3 1/2"	7 5/8"	16'	1"	—	
	MLD508-12	3 5/8"	8 3/8"	12'	1 1/8"	—	
	MLD547-16	5 3/8"	8 5/8"	16'	1 1/2"	—	
	MLD545-12	10"	9 1/8"	12'	2 7/8"	—	
	MLD246-16	3 3/8"	9 1/8"	16'	1"	—	
	MLD336-16	3 1/8"	9 3/8"	16' 1"	3/4"	5"	
	MLD521-8 Sign Fascia	5"	13 1/8"	8'	1"	—	
	MLD419-12	6 3/4"	14 1/2"	12'	1 3/8"	3"	



## Cornice Mouldings

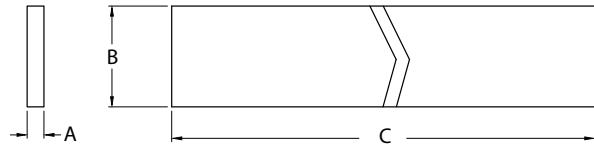
*Continued*

	Part Number	Projection (A)	Height (B)	Length (C)	Bottom Thickness (D)	Design Repeat	
	MLD506-16	3"	16 3/8"	16'	7/8"	—	
	MLD533-12	5 1/2"	17"	12'	2 1/2"	—	
	MLD543-12	8 1/4"	19"	12'	1/2"	—	
	MLD534-12	8 7/8"	19 1/8"	12'	1/2"	—	

Parts may be required to ship LTL (less than truckload) based on size and overall dimensions.



# Smooth Flat Trim



Part Number	Thickness (A)	Width (B)	Length (C)	Accessories
FLT177-8	1/2"	1"	8'	—
FLT131-16	1/2"	3"	16'	—
FLT178-8	1/2"	14"	8'	—
FLT100-12	5/8"	4 3/4"	12'	—
FLT181-8	5/8"	24"	8'	—
FLT101-12	3/4"	1 1/2"	12'	—
FLT102-10	3/4"	2 1/8"	10'	—
FLT103-12	3/4"	3"	12'	PB3X3, PB4X4
FLT122-16	3/4"	3 1/2"	16'	—
FLT110-16	3/4"	5 1/2"	16'	—
FLT109-12	3/4"	6"	12'	—
FLT186-16	3/4"	7 1/4"	16'	—
FLT113-8	3/4"	8"	8'	—
FLT118-8	3/4"	10"	8'	—
FLT152-8	1"	3 1/2"	8'	4F Arches
FLT152-12	1"	3 1/2"	12'	4F Arches
FLT152-16	1"	3 1/2"	16'	4F Arches
FLT153-12	1"	4"	12'	—
FLT159-8	1"	5 1/2"	8'	6F Arches, PB6X6
FLT159-12	1"	5 1/2"	12'	6F Arches, PB6X6
FLT159-16	1"	5 1/2"	16'	6F Arches, PB6X6
FLT162-8	1"	7 1/2"	8'	PB7X7, K8TF
FLT162-14	1"	7 1/2"	14'	PB7X7, K8TF
FLT170-12	1"	9 1/2"	12'	—
FLT170-16	1"	9 1/2"	16'	—



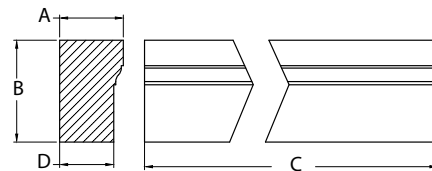
## Smooth Flat Trim


*Continued*

Part Number	Thickness (A)	Width (B)	Length (C)	Accessories
FLT172-16	1"	11 1/2"	16'	—
FLT175-12	1"	12"	12'	—
FLT179-12	1"	16"	12'	—
FLT180-12	1"	24"	12'	—
FLT119-17	1"	32 1/4"	16' 11"	—
FLT125-8	1"	36"	8'	—
FLT40X96	1"	40"	8'	—
FLT184-16	1 1/2"	1 1/2"	16'	—
FLT194-10	1 1/2"	3 1/2"	10'	—
FLT183-12	1 1/2"	5 1/2"	12'	—
FLT163-16	1 1/2"	7 1/2"	16'	—
FLT182-12	1 1/2"	12 1/4"	12'	—
FLT185-12	1 1/2"	16 1/2"	12'	—
FLT190-12	2"	4"	12'	—

## Trim


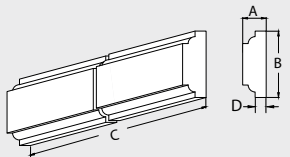

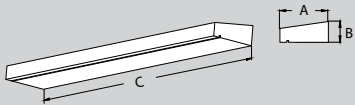

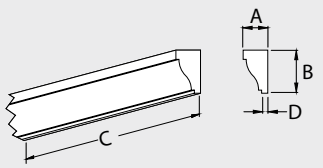

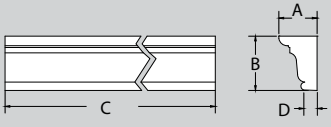

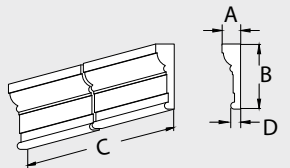
*Brick Mould*



Part Number	Projection (A)	Height (B)	Length (C)	Bottom Thickness (D)	Accessories
MLDWM180-8	1 1/4"	2"	8'	1 1/2"	 Keystone KWM180M Page 44
MLDWM180-16	1 1/4"	2"	16'	1 1/2"	
MLDWM181-16	3/4"	2"	16'	5/8"	
MLDWM182-12	1 1/4"	3"	12'	1 1/8"	

Parts may be required to ship LTL (less than truckload) based on size and overall dimensions.

# Trim, Casing & Apron


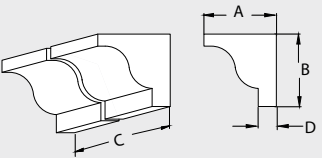

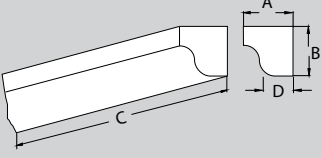

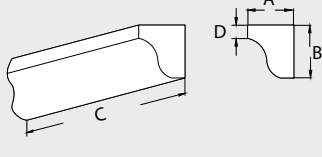

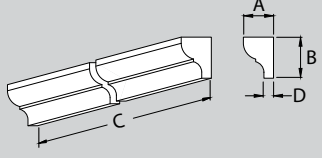
Part Number	Projection (A)	Height (B)	Length (C)	Bottom Thickness (D)	Accessories	
 <b>MLD637-16</b> Flat Astragal	1/2"	1 1/2"	16'	3/4"	—	
 <b>MLD710-10</b> Sill	3 1/2"	1 1/2" Tapers to 1"	10'	—	—	
 <b>MLD231-12</b> Window & Door Casing	1"	1 3/4"	12'	1/4"	—	
 <b>MLD214-12</b> Window & Door Casing	2"	2 7/8"	12'	3/4"	—	
 <b>MLD234-16</b> Window & Door Casing	1"	3 1/2"	16'	3/8"	—	



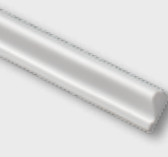
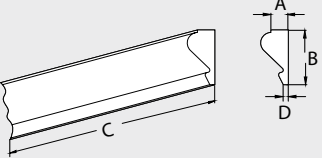

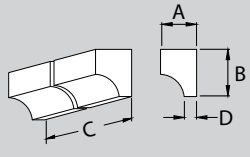

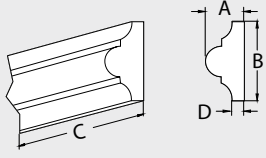
Parts may be required to ship LTL (less than truckload) based on size and overall dimensions.



# Ogee

Part Number	Projection (A)	Height (B)	Length (C)	Bottom Thickness (D)	
 MLD633-8	3/4"	3/4"	8'	1/4"	
 MLD602-8 Crosshead Trim Strip	3/4"	3/4"	8'	1/4"	
 MLD601-12	1 1/4"	1 1/2"	12'	3/8"	
 MLD634-16	1 3/8"	1 7/8"	16'	1/4"	

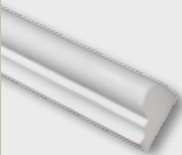
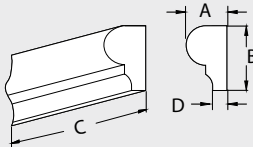

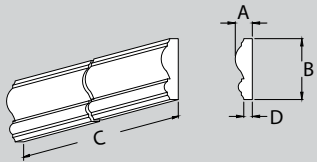
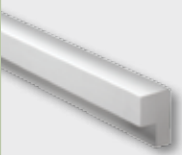
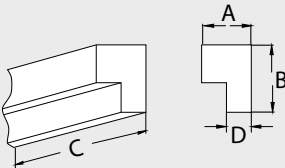
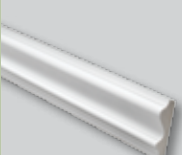
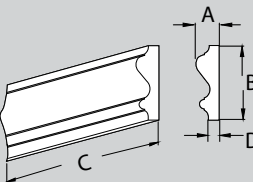
# Chair Rail

Part Number	Projection (A)	Height (B)	Length (C)	Bottom Thickness (D)	
 MLD612-12	3/4"	1 3/8"	12'	1/8"	
 MLD627-16	1 5/8"	2 1/8"	16'	1/2"	
 MLD611-12	1 1/8"	2 1/4"	12'	3/8"	




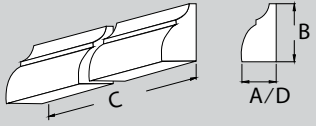
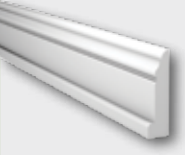


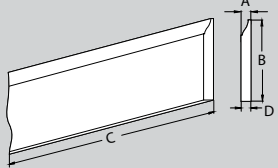
## Chair Rail

Continued

	Part Number	Projection (A)	Height (B)	Length (C)	Bottom Thickness (D)	
	MLD610-8	1 1/2"	2 3/8"	8'	1/2"	
	MLD631-16	7/8"	3"	16'	1/2"	
	MLD625-16	3"	4"	16'	1 1/2"	
	MLD614-16	1 5/8"	5 1/2"	16'	3/4"	

Parts may be required to ship LTL (less than truckload) based on size and overall dimensions.

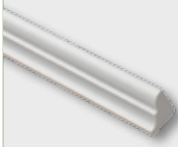
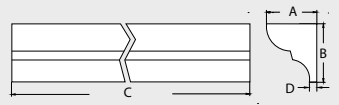
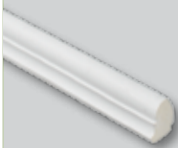
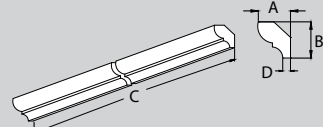

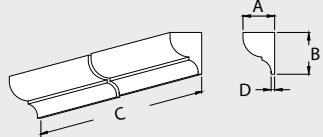
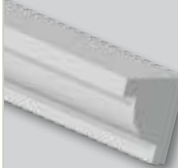
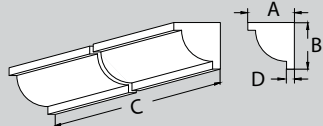

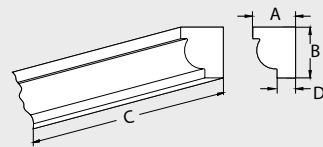
# Baseboard Trim

	Part Number	Projection (A)	Height (B)	Length (C)	Bottom Thickness (D)		
	<b>MLD618-16</b> Base Cap	1"	1 1/2"	16'	1"		
	<b>MLD1019-12</b>	1 1/8"	5 1/4"	12'	1 1/8"		
	<b>MLD1020-12</b>	1 1/8"	7 1/4"	12'	1 1/8"		
	<b>MLD706-16</b> Base Trim	5/8"	5 1/4"	16'	—		






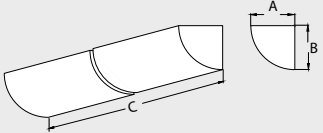

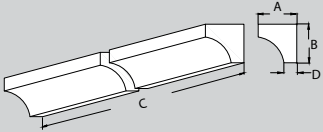

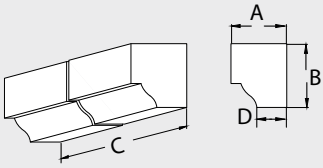
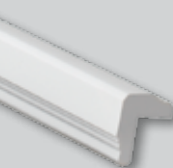
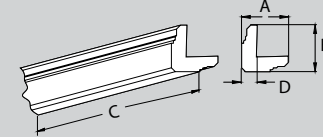

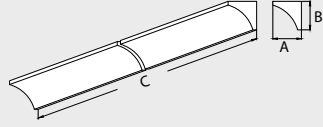
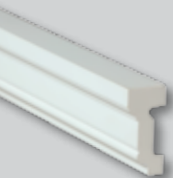
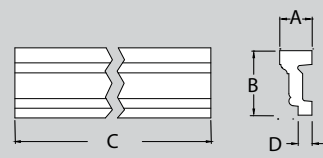

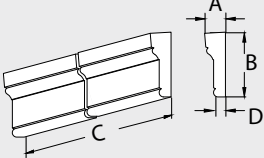
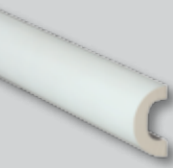
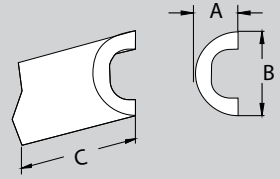
## Bed Moulding

	Part Number	Projection (A)	Height (B)	Length (C)	Bottom Thickness (D)	
	MLD626-8	1 1/8"	1 1/4"	8'	1/8"	
	MLD455-12	1 1/4"	1 3/8"	12'	1/4"	
	MLD649-16	1 1/2"	2 1/8"	16'	3/8"	
	MLD629-10	2 1/4"	2 1/4"	10'	3/8"	
	MLD613-12	2 3/8"	2 3/4"	12'	1"	

Parts may be required to ship LTL (less than truckload) based on size and overall dimensions.

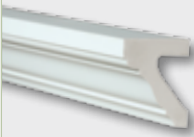
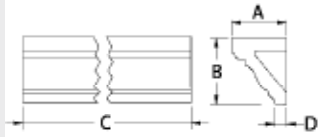
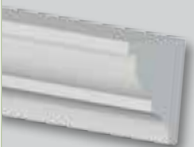
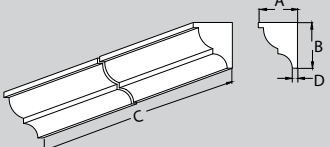
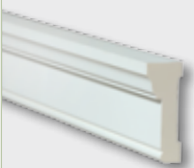
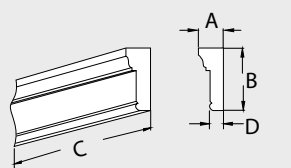

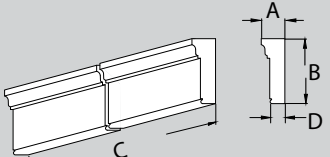

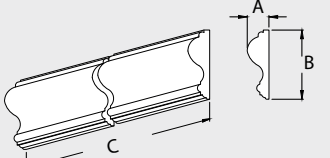
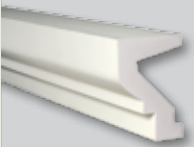
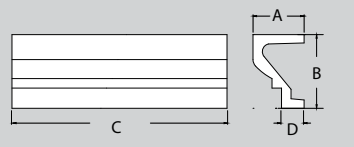
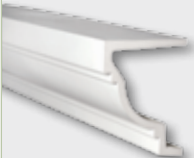
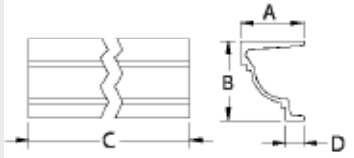

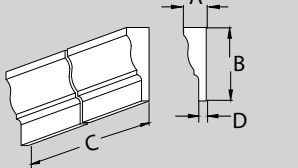


# Mouldings

	Part Number	Projection (A)	Height (B)	Length (C)	Bottom Thickness (D)	Accessories	
	MLD603-8	1/2"	1/2"	8'	3/4"	—	
	MLD628-8 Cove	3/4"	3/4"	8'	1/4"	—	
	MLD730-8	7/8"	1"	8'	1/4"	—	
	MLD607-8 Corner Strip	2 1/4"	2 1/4"	8'	3/4"	—	
	MLD660-10 Cove	2 3/8"	2 3/8"	10'	—	—	
	MLD215-12 4M Profile	1 3/4"	3 1/2"	12'	3/4"	K4TM KP4TM	
	MLD237-16	1 1/8"	3 1/2"	16'	3/8"	—	
	MLD605-12 Half Round	1 3/4"	3 1/2"	12'	—	—	

# Mouldings

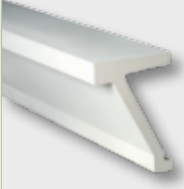
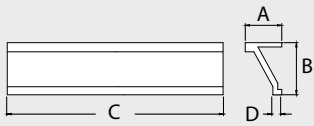

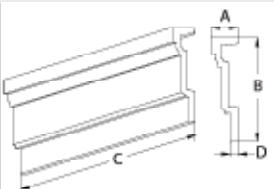


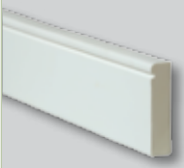
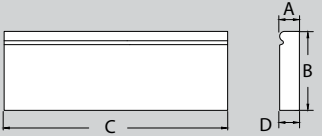

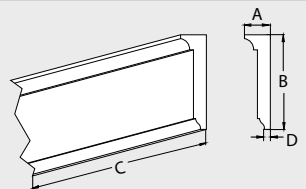

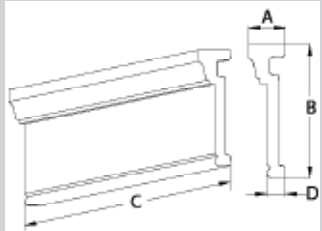

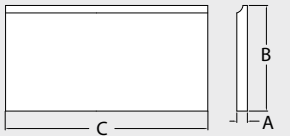
*Continued*

	Part Number	Projection (A)	Height (B)	Length (C)	Bottom Thickness (D)	Accessories	
	MLD240-8	3 1/4"	4"	8'	3/4"	DTLB6X4X6 DTLB9X11X16	
	MLD641-16	3 3/4"	4 3/8"	16'	1/2"	—	
	MLD250-8	1 3/4"	4 1/2"	8'	1"	DTLB6X4X6 DTLB9X11X16	
	MLD250-12	1 3/4"	4 1/2"	12'	1"		
	MLD236-16	2"	5 1/2"	16'	1 1/4"	—	
	MLD639-16 Fascia - Surround	1 7/8"	6 1/4"	16'	—	—	
	MLD311-16	5 3/8"	7 3/4"	16'	2 3/8"	—	
	MLD520-16	6 1/2"	8 1/6"	16'	1 7/8"	—	
	MLD644-16	3"	9 3/4"	16'	1"	—	

Parts may be required to ship LTL (less than truckload) based on size and overall dimensions.

# Mouldings

Continued

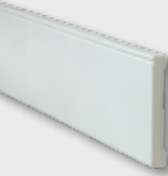
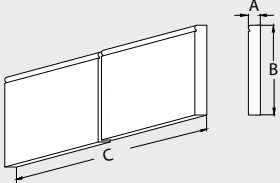
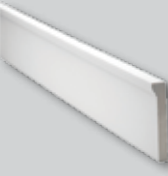
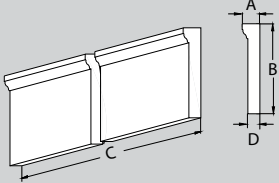

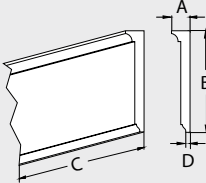

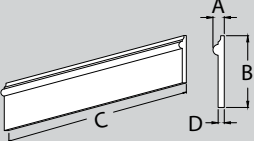


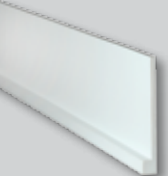
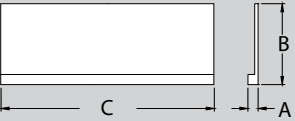

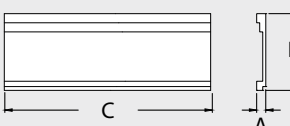

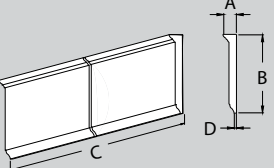
	Part Number	Projection (A)	Height (B)	Length (C)	Bottom Thickness (D)	
	MLD512-16	8 1/2"	12 1/8"	16'	2 1/8"	
	MLD505-8 Massive Fascia	3 3/8"	13"	8'	1"	
	MLD472-12	11 1/4"	15 1/2"	12'	1 1/8"	
	MLD715-16 Beaded	1"	4"	16'	—	
	MLD224-12	1 1/2"	5 1/2"	12'	3/8"	
	MLD226-8	1 1/2"	5 1/2"	8'	3/4"	
	MLD226-10	1 1/2"	5 1/2"	10'	3/4"	
	MLD226-12	1 1/2"	5 1/2"	12'	3/4"	
	MLD226-16	1 1/2"	5 1/2"	16'	3/4"	
	MLD705-16 Cove	3/4"	7 1/2"	16'	—	

Parts may be required to ship LTL (less than truckload) based on size and overall dimensions.



# Mouldings

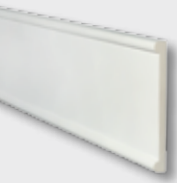
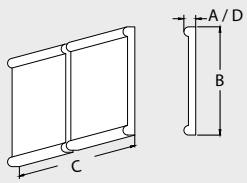

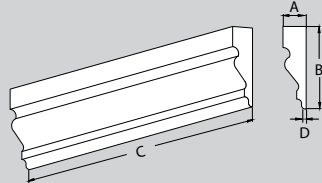

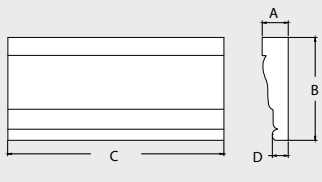

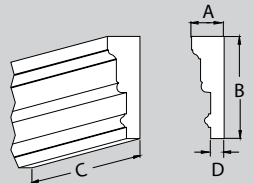


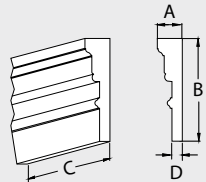


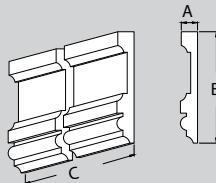
Continued

Part Number	Projection (A)	Height (B)	Length (C)	Bottom Thickness (D)	Accessories	
 <b>MLD735-16</b> Beaded	1"	7 1/2"	16'	—	—	
 <b>MLD232-16</b>	1 1/2"	7 7/8"	16'	1 1/8"	—	
 <b>MLD225-12</b>	1 1/2"	8 1/2"	12'	3/8"	—	
 <b>MLD247-16</b>	1 3/8"	8 3/4"	16'	3/4"	—	
 <b>MLD708-12</b> Bevel	1 1/2"	12"	12'	—	—	
 <b>MLD531-8</b> Matches MLD530-8	1 1/2"	12"	8'	—	—	
 <b>MLD530-8</b> Matches MLD531-8	1 1/2"	12 5/8"	8'	—	—	
 <b>MLD223-16</b>	2 1/2"	14 1/2"	16'	1/2"	—	



# Mouldings

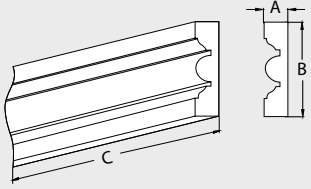

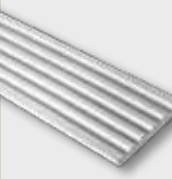
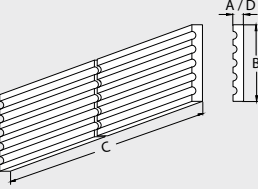
*Continued*

	Part Number	Projection (A)	Height (B)	Length (C)	Bottom Thickness (D)	Accessories	
	<b>MLD522-16</b> Sign Fascia	1 5/8"	14 3/4"	16'	1 5/8"	—	
	<b>MLD621-16</b>	1/2"	2"	16'	1/8"	—	
	<b>MLD230-16</b>	3/4"	3 1/4"	16'	1/2"	—	
	<b>MLD220-12</b> 6M Profile	1 3/4"	5 1/2"	12'	3/4"	K6TM KP6TM	
	<b>MLD220-16</b> 6M Profile	1 3/4"	5 1/2"	16'	3/4"		
	<b>MLD221-8</b>	1 3/4"	7"	8'	3/4"	—	
	<b>MLD221-16</b>	1 3/4"	7"	16'	3/4"		
	<b>MLD541-16</b>	1 1/4"	8 1/8"	16'	—	—	

Parts may be required to ship LTL (less than truckload) based on size and overall dimensions.

# Mouldings

*Continued*

Part Number	Projection (A)	Height (B)	Length (C)	Bottom Thickness (D)	Accessories	
 MLD245-12	2"	8 3/4"	12'	—	—	
 MLD227-16	1 1/2"	9"	16'	3/4"	—	
 MLD205-8	7/8"	3"	8'	—	PB3X3, PB4X4	
 MLD205-12	7/8"	3"	12'	—		
 MLD207-16 Fluted	1"	5 1/4"	16'	1"	PB6X6	
 MLD208-16 Fluted	1"	7 1/4"	16'	1"	—	




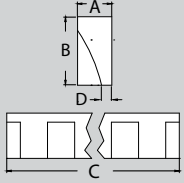

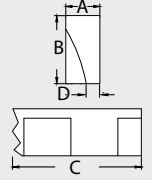

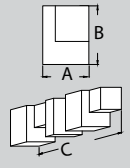
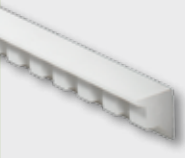
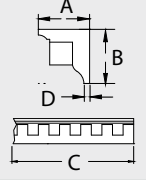

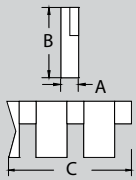
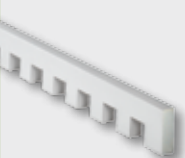
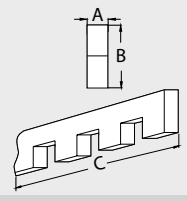
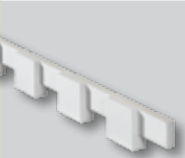
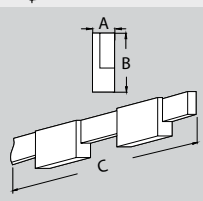

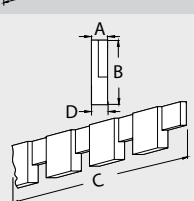
Parts may be required to ship LTL (less than truckload) based on size and overall dimensions.






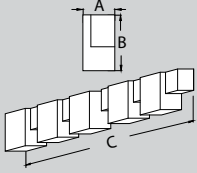

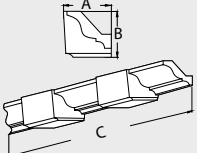
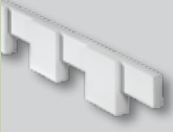
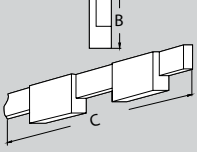

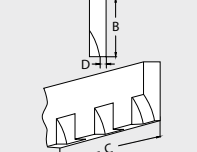



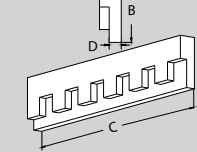

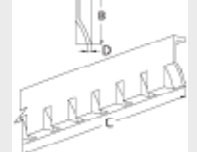


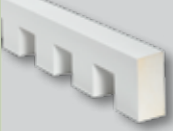
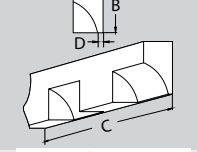

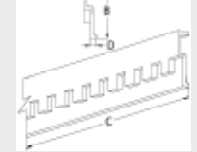
# Mouldings

Dentil

Part Number	Projection (A)	Height (B)	Length (C)	Bottom Thickness (D)	Design Repeat	Tooth & Space	Accessories	
 MLD303-5	5/8"	1 1/4"	5'	1/4"	1 1/2"	3/4" Tooth 3/4" Space	—	
 MLD304-8	5/8"	1 1/4"	8'	1/4"	2 1/2"	1 1/4" Tooth 1 1/4" Space	—	
 MLD356-12	1 3/8"	1 7/8"	12'	—	2 3/8"	1 1/4" Tooth 1 1/8" Space	—	
 MLD313-8	2 1/4"	2 3/8"	8'	1/4"	2"	1" Tooth 1" Space	—	
 MLD355-8	5/8"	2 1/2"	8' 3/8"	—	2 1/8"	1 3/8" Tooth 3/4" Space	—	
 MLD354-12	1"	3 1/8"	12' 2 1/4"	—	3 1/4"	1 5/8" Tooth 1 5/8" Space	—	
 MLD351-8	1 1/4"	3 1/4"	8' 2"	—	7"	3 1/2" Tooth 3 1/2" Space	—	
 MLD350-8	7/8"	3 1/2"	8' 3 3/4"	1/2"	3 3/4"	2 3/16" Tooth 1 1/2" Space	—	

# Mouldings

*Dentil Continued*


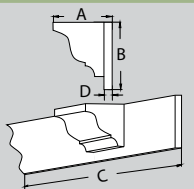
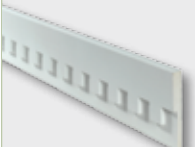
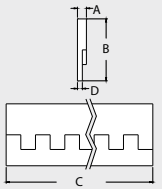

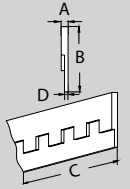

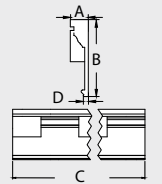
Part Number	Projection (A)	Height (B)	Length (C)	Bottom Thickness (D)	Design Repeat	Tooth & Space	Accessories	
 MLD352-8	2"	3 1/2"	8' 3 3/4"	—	3 3/4"	2 1/4" Tooth 1 1/2" Space	—	
 MLD360-8	3 1/2"	3 3/4"	8'	—	8"	3 3/4" Tooth 4 3/8" Space	—	
 MLD353-8	1 1/4"	4 1/2"	8' 1/4"	—	8 3/4"	4 3/8" Tooth 4 3/8" Space	—	
 MLD310-8	1 1/4"	4 1/2"	8'	1/2"	—	1 1/2" Tooth	DTLB6X4X6 DTLB9X11X16	
 MLD310-12	1 1/4"	4 1/2"	12'	1/2"	3"	1 1/2" Space		
 MLD310-16	1 1/4"	4 1/2"	16'	1/2"	—	1 1/2" Space		
 MLD332-8	1 5/8"	5"	8'	7/8"	4"	2" Tooth 2" Space	DTLB9X11X16	
 MLD320-8	1 5/8"	5 3/4"	8'	3/8"	—	2 3/8" Tooth	—	
 MLD320-12	1 5/8"	5 3/4"	12'	3/8"	4 1/2"	2 1/4" Space		
 MLD320-16	1 5/8"	5 3/4"	16' 1 1/2"	3/8"	—	2 1/4" Space		
 MLD335-12	3 3/8"	6 1/8"	12'	1/2"	7 1/4"	3 1/8" Tooth 4 1/4" Space	—	
 MLD330-12	1 5/8"	7"	12'	7/8"	4"	2" Tooth 2" Space	—	

Parts may be required to ship LTL (less than truckload) based on size and overall dimensions.




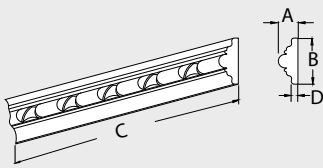
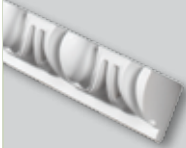
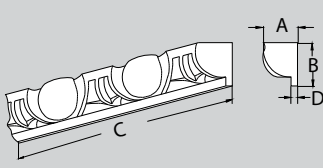

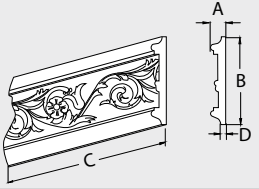

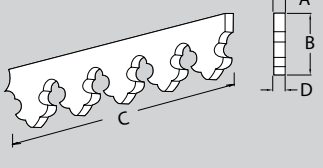

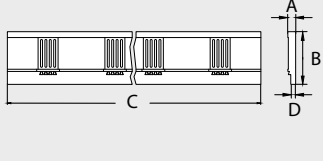
# Mouldings

*Dentil Continued*

Part Number	Projection (A)	Height (B)	Length (C)	Bottom Thickness (D)	Design Repeat	Tooth & Space	Accessories	
 MLD370-8	6 1/2"	7 1/2"	8'	1"	19 1/4"	4 3/4" Tooth 14 1/2" Space	—	
 MLD331-16	1 3/8"	9 1/2"	16' 1 1/2"	3/4"	4 1/2"	2 1/4" Tooth 2 1/4" Space	—	
 MLD333-12	1 3/16"	11 1/2"	12' 4 1/2"	5/8"	5 1/2"	2 3/4" Tooth 2 3/4" Space	—	
 MLD434-16	3 3/4"	16"	15' 9"	1/8"	21"	9" Tooth 12" Space	—	

# Mouldings

Decorative

	Part Number	Projection (A)	Height (B)	Length (C)	Bottom Thickness (D)	Design Repeat	
	<b>MLD609-12</b> Chair Rail	7/8"	2 1/8"	12'	3/8"	1 7/8"	
	<b>MLD562-8</b> Egg & Dart	2 3/8"	3"	8' 5"	1/2"	6 1/8"	
	<b>MLD600-8</b> Florentine	3/4"	4 1/4"	8'	1/4"	5 5/8"	
	<b>MLD600-10</b> Florentine	3/4"	4 1/4"	10'	1/4"	5 5/8"	
	<b>MLD640-8</b> Scalloped	1"	5 3/4"	8'	1"	6"	
	<b>MLD532-16</b>	2"	13 1/2"	16'	1 1/4"	17 1/8"	

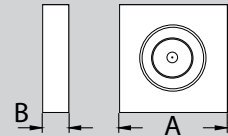


Parts may be required to ship LTL (less than truckload) based on size and overall dimensions.

# Moulding Accessories

Rosettes

Part Number	Width (A)	Projection (B)	Matching Parts
PB2.5X2.5	2 1/2"	3/4"	—
PB3X3	3 5/8"	7/8"	FLT103 MLD205
PB3.5X3.5	3 1/2"	3/4"	—
PB3.875X3.875	3 7/8"	1 1/8"	—
PB4X4	3 5/8"	1 1/8"	FLT103 MLD205 4F Arches
PB5X5	5 1/4"	1"	FLT109 MLD211
PB6X6	5 5/8"	1 1/8"	FLT159 MLD211 MLD706 6F Arches



Parts may be required to ship LTL (less than truckload) based on size and overall dimensions.

