

# 2062 Single Unit Egress Window Well

## Space Saving Design.

Designed for use with 3-foot wide casement egress windows. This model is the ideal choice for projects where space is a concern.

One-piece construction makes this model simple to install.



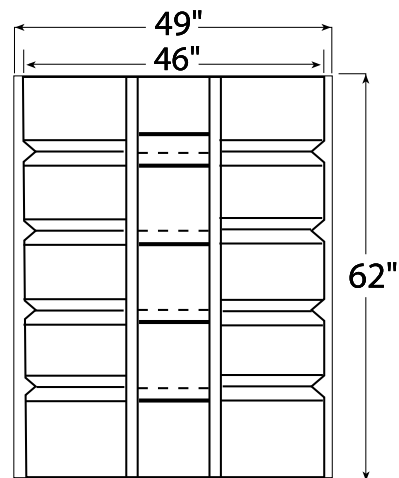
granite grey  
#020620190



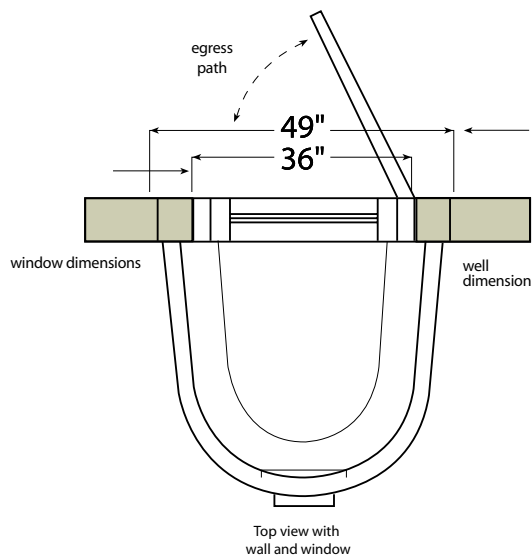
sandstone  
#020620191



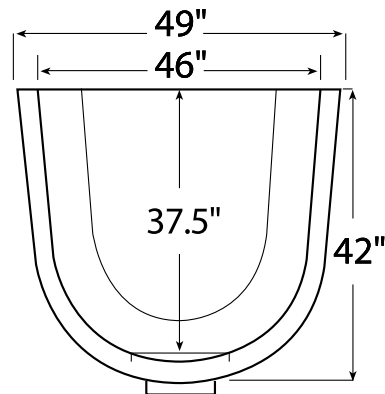
Shown with optional polycarbonate cover.



Front view



Top view with wall and window



Top view