

# 5600 Modular Egress Window Well

## Installs in a snap.

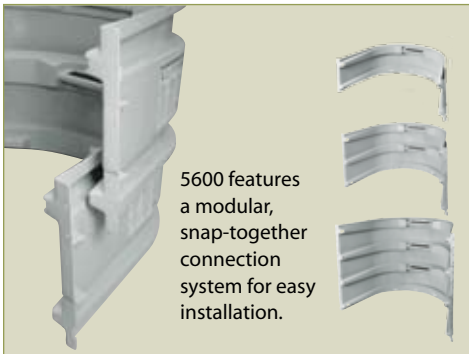
The 5600 offers many custom possibilities. You're not limited to a set height—make your well as short or as high as you need. A typical installation uses four sections and is made easy with simple, snap-together construction. The 5600 is designed for windows up to 4-foot wide. Each section weighs only 24 pounds and is easy to transport.



grey  
#056100092



Shown with optional lattice cover.



5600 features a modular, snap-together connection system for easy installation.

Sections	Total Height
1	20 <sup>7</sup> / <sub>8</sub> "
2	34 <sup>7</sup> / <sub>8</sub> "
3	48 <sup>7</sup> / <sub>8</sub> "
4	62 <sup>7</sup> / <sub>8</sub> "
5	76 <sup>7</sup> / <sub>8</sub> "

